


MOTO GUZZI®

SPARE PARTS CATALOGUE



V7 Special 850 E5 ABS 2021 (NAFTA)

Chassis prefix: ZGUKZUB0

Engine prefix: AW

Index

Finished products.....	4
Alphanumeric index.....	5
Frame.....	10
Table 01.010 - Frame.....	10
Table 01.020 - Foot rests.....	11
Table 01.030 - Central stand.....	12
Table 01.050 - Swing arm.....	13
Body.....	14
Table 02.030 - Front mudguard-Pillar.....	14
Table 02.100 - Central body.....	15
Table 02.120 - Saddle.....	16
Table 02.150 - Rear mudguard.....	17
Table 02.170 - Locks.....	18
Table 02.180 - Plate set / Various.....	19
Table 02.190 - Decal.....	20
Engine.....	21
Table 03.010 - Engine-Completing part-Lever.....	21
Table 03.020 - Gear lever.....	22
Table 03.030 - Crankcases I.....	24
Table 03.050 - Air box.....	25
Table 03.060 - Throttle body.....	26
Table 03.090 - Head cover.....	27
Table 03.100 - Cylinder head - valves.....	28
Table 03.120 - Timing system.....	29
Table 03.150 - Cylinder - Piston.....	31
Table 03.160 - Drive shaft.....	32
Table 03.170 - Gear box / Selector / Shift cam.....	33
Table 03.180 - Gear box - Gear assembly.....	35
Table 03.190 - Lubrication.....	37
Table 03.196 - Blow-by system.....	39
Table 03.230 - Clutch.....	40
Table 03.270 - Flywheel cover.....	42
Table 03.290 - Starter / Electric starter.....	43
Table 03.300 - Cdi magneto assy / Ignition unit.....	44
Table 03.320 - Secondary air.....	45
Table 03.330 - Exhaust pipe.....	46
Table 03.340 - Transmission complete.....	48
Table 03.350 - Rear transmission / Components.....	49
Suspensions.....	51
Table 04.060 - Front fork Kaifa.....	51
Table 04.080 - Shock absorber.....	52
Wheels.....	53
Table 05.010 - Front wheel.....	53

Table 05.020 - Rear wheel.....	54
Brake system.....	55
Table 06.010 - Front master cilinder.....	55
Table 06.020 - Front brake caliper.....	56
Table 06.030 - Rear master cylinder.....	57
Table 06.040 - Rear brake caliper.....	58
Table 06.050 - ABS Brake system.....	59
Handlebar - Controls.....	61
Table 07.010 - Steering.....	61
Table 07.020 - Handlebar - Controls.....	62
Table 07.030 - Clutch control.....	63
Lights - Instruments.....	64
Table 08.010 - Front lights.....	64
Table 08.020 - Instruments.....	65
Table 08.030 - Rear lights.....	66
Tank.....	68
Table 09.010 - Fuel tank.....	68
Table 09.020 - Fuel vapour recover system.....	69
Electrical systems.....	70
Table 11.010 - Front electrical system.....	70
Table 11.020 - Central electrical system.....	71
Table 11.030 - Rear electrical system.....	72

Finished products

Code	Validity
GU9032137CAM01	
GU9032137CAM02	
GU9032137USM01	
GU9032137USM02	

Code	No. table	Pos.	Code	No. table	Pos.	Code	No. table	Pos.
000267	03.300	7	1A011963	03.120	20	292022	08.010	2
013763	03.190	14	1A012793	03.120	17	292723	08.010	3
013763	08.020	2	1A013671	03.120	15	2A000097	03.170	41
080341	11.020	4	1A013815	03.190	3	2A000216	03.230	14
1A000360	03.180	7	1A013883	03.120	24	2A000224	03.170	20
1A000365	03.180	16	1A013936	03.150	3	2A000225	03.170	23
1A000367	03.180	27	1A014335	03.330	22	2A000226	03.170	21
1A000368	03.180	28	1A014410	03.190	19	2A000227	03.170	22
1A000436	03.180	10	1A014411	03.190	20	2A000241	03.170	28
1A000566	03.180	4	1A014459	03.100	9	2A000241	03.180	32
1A000566	03.230	27	1A014626	03.300	5	2A000306	03.170	27
1A000833	03.330	19	1A014777	03.190	31	2A000376	03.230	30
1A002604	03.180	24	1A014844	03.190	10	2A000378	03.230	15
1A002604	03.180	9	1A014908	03.190	35	2A000384	03.230	20
1A003111	03.190	39	1A015041	03.120	13	2A000385	03.230	21
1A003444	11.020	14	1A015041	03.300	6	2A000418	03.230	4
1A003452	03.100	5	1A015201	03.330	30	2A000467	03.170	15
1A004442	03.190	15	1A015233	03.190	21	2A000527	03.120	26
1A004530	03.030	12	1A015236	03.190	18	2A000529	03.230	7
1A004549	03.190	11	1A0152720G	03.150	2	2A000565	03.090	1
1A004660	03.100	1	1A0152720H	03.150	2	2A000579	03.120	19
1A004661	03.100	1	1A0152720L	03.150	2	2A000591	03.170	37
1A004662	03.100	1	1A0152720M	03.150	2	2A000625	03.180	5
1A004750	03.100	8	1A015819	03.190	36	2A000627	03.180	13
1A004751	03.100	4	1A016297	03.100	2	2A000631	03.230	25
1A004903	03.120	3	1A016324	03.060	12	2A000633	03.190	5
1A004905	03.120	29	1A016330	03.120	5	2A000638	03.230	5
1A004907	03.120	27	1A016407	03.270	1	2A000659	03.090	2
1A004954	03.150	4	1A016442	03.190	41	2A000741	03.230	2
1A004955	03.150	5	1A016500	03.300	1	2A000774	03.230	9
1A005257	03.190	13	1A016739	03.170	3	2A000823	03.170	43
1A005951	03.120	22	1A016739	03.190	24	2A000823	03.350	22
1A005955	03.120	8	1A016844	03.120	2	2A000838	03.230	24
1A006243	03.120	6	1A017035	03.120	9	2A000926	03.170	12
1A006655	03.030	17	1A017047	03.090	6	2A000938	03.170	31
1A006656	03.030	16	1A017127	03.190	30	2A000947	03.180	25
1A006659	03.100	12	1A017540	03.120	21	2A000948	03.180	22
1A006659	03.120	25	1A017659	03.060	8	2A000968	03.230	1
1A0066680G	03.160	3	1A017660	03.060	3	2A000969	03.230	6
1A0066680N	03.160	3	1A017801	03.320	3	2A000988	03.180	30
1A0066680V	03.160	3	1A017906	03.100	10	2A000989	03.180	29
1A0066690G	03.160	2	1A017908	03.100	11	2A000998	03.180	20
1A0066690N	03.160	2	1A017909	03.150	13	2A001004	03.230	10
1A0066690V	03.160	2	1A017910	03.150	1	2A001035R	03.230	28
1A006716	03.090	4	1A017912	03.090	3	2A001047	03.170	38
1A006861	03.120	18	1A017918	03.010	1	2A001050	03.170	47
1A008102	03.030	2	1A017929	03.190	37	2A001062	03.230	16
1A008103	03.030	3	1A018338	03.120	12	2A001099	03.160	1
1A008104	03.030	4	1A018712	03.030	10	2A001145	03.170	1
1A008256	03.030	5	1A018733	03.030	11	2A001116	03.170	19
1A008291	03.190	27	1A018734	03.030	13	2A001118	03.170	6
1A008325	03.190	7	1A019205	03.030	1	2A001139	03.170	24
1A008533	03.190	22	1B000068	08.030	15	2B000219	09.020	11
1A008566	03.190	38	1C001209	06.050	7	2B000221	11.010	2
1A008933	03.150	7	1C001499	01.030	9	2B000404	03.350	2
1A009167	03.060	7	1C001499	05.020	21	2B000421	02.120	3
1A009346	03.120	14	1D000680	11.010	5	2B000525	06.040	1
1A009630	03.230	19	1D001393	03.060	2	2B000909	09.010	9
1A009653	03.030	6	1D002384	11.010	6	2B001009	03.020	15
1A009653	03.190	16	1R000319	11.030	14	2B001035	01.010	3
1A010638	11.020	7	224566	03.350	7	2B001138	03.170	48
1A010753	03.160	5	237553	03.190	12	2B001197	06.020	1
1A010839	11.020	5	254485	02.150	7	2B001279	05.020	8
1A010855	03.150	12	254485	03.330	14	2B001310	05.020	1
1A011173	03.100	6	254485	06.050	31	2B001311	03.350	3
1A011548	03.150	6	258146	08.020	12	2B001561	05.010	22
1A011654	03.170	40	288245	03.150	10	2B001564	06.050	14

Code	No. table	Pos.	Code	No. table	Pos.	Code	No. table	Pos.
2B001591	04.060	14	2B003435	09.010	1	2B006729	08.010	11
2B001612	01.010	13	2B003450	02.100	8	2B006732	08.010	12
2B001614	06.050	15	2B003451	02.100	7	2B006740	05.020	22
2B001636	03.340	2	2B003543	06.010	1	2B006744	06.050	28
2B001708	05.010	21	2B003631	08.020	8	2B006809	04.080	1
2B001770	03.170	51	2B003701	05.010	2	2B006810	01.020	4
2B001929	06.010	6	2B0037065	05.010	1	2B006811	01.020	3
2B001930	06.010	4	2B003711	08.020	9	2B006816	03.330	29
2B001941	03.020	18	2B003791	07.010	1	2B006817	03.330	8
2B001956	05.020	19	2B003832	08.010	15	2B006860R	03.350	28
2B001956	06.040	2	2B003835	07.020	13	2B007092	06.050	23
2B002146	08.030	11	2B003836	07.020	17	2B007137	03.330	20
2B002171	01.020	21	2B003851	08.020	4	2B007195	07.020	12
2B002171	03.350	25	2B003948	04.060	3	2B007243	03.350	29
2B002189	06.030	9	2B003952	04.060	2	2B007247	03.330	18
2B002195	01.010	19	2B003994	02.170	4	2B007257	03.350	10
2B002195	04.080	4	2B0039954	02.170	3	2B007288	03.330	1
2B002200	03.350	13	2B004009	02.170	5	2B007307	05.020	5
2B002205	01.050	7	2B004072	08.030	27	2B007308	05.020	11
2B002219	01.020	2	2B004080	07.020	6	2B007313	05.010	6
2B002225	01.020	5	2B004174	11.020	12	2B007315	03.330	3
2B002311	01.010	7	2B004219	03.020	29	2B007316	03.330	2
2B002313	07.010	13	2B004226	08.020	6	2B007415	01.020	23
2B002390	07.030	2	2B004348	03.020	11	2B007448000C2	02.120	1
2B002391	07.030	1	2B004396R	05.020	17	2B007461	02.100	1
2B002416	05.010	11	2B004431	05.020	6	2B007462	02.100	2
2B002416	05.020	18	2B004435	05.020	13	2B007463	02.150	1
2B002486	09.010	6	2B004436	05.020	12	2B007463000XN5	02.150	1
2B002494	02.170	9	2B004560	06.050	11	2B007464	02.150	2
2B002529	03.320	7	2B004778	05.010	19	2B007468	02.150	19
2B002530	03.320	9	2B004818	03.020	2	2B007468	08.030	12
2B002531	03.320	8	2B004818	06.030	2	2B007471	03.330	24
2B002535	03.350	27	2B004819	01.030	2	2B007472	03.330	23
2B002536	03.350	17	2B004821	03.020	14	2B007473	03.330	28
2B002567	09.010	8	2B004822	03.020	7	2B007474	03.330	15
2B002602	03.196	4	2B004825	02.030	2	2B007486	01.010	9
2B002632	09.020	1	2B004827	03.020	10	2B007492	08.030	24
2B002699	03.340	4	2B004828	03.020	8	2B007551	01.030	1
2B002781	11.030	12	2B004856	01.020	12	2B007595	01.010	17
2B002807	03.350	21	2B004914	03.020	9	2B007596	01.010	15
2B002810	01.010	16	2B004963	07.020	24	2B007597	01.020	22
2B002817	01.010	18	2B005012	03.350	1	2B007631	02.150	3
2B002851	03.050	5	2B005143	01.020	11	2B007746	07.020	16
2B002875	07.020	2	2B005856	01.050	2	2B007787	01.050	3
2B002919	01.020	1	2B005954	08.030	22	2B007833	03.330	21
2B002937	02.100	10	2B006001	08.030	17	2B007897	08.030	25
2B003039	06.010	5	2B006064	03.350	26	2B007933	02.030	3
2B003040	06.010	3	2B006086	05.020	24	2B008066	03.330	16
2B003042	09.020	3	2B006088R	03.350	14	2B008082	03.050	2
2B003052	11.020	13	2B006091	02.100	17	2B008083	03.050	14
2B003105	03.196	3	2B006106	07.030	8	2B008292	03.340	1
2B003111	01.050	5	2B006107	08.010	18	2B008376	07.020	11
2B003111	04.080	5	2B006110	03.350	20	2B008482	02.170	11
2B003204	03.196	2	2B006168	02.100	9	2B008488	02.170	1
2B003212	01.050	8	2B006169	01.020	7	2B008499	02.190	10
2B003250	07.010	14	2B006170	01.020	6	2D0002805	06.030	14
2B003250	07.010	3	2B006416	02.150	16	2D000284	08.030	13
2B003250	07.020	5	2B006416	08.030	7	2D0002885	07.030	9
2B003292	07.010	16	2B006508	05.010	23	2D000294	08.020	10
2B003336	06.030	3	2B006583	01.010	1	2D000307	07.020	18
2B003342	08.010	13	2B006604	02.150	13	2D000308	07.020	9
2B003348	03.020	3	2B006720	06.050	3	2D000351	02.170	2
2B003357	06.040	3	2B006721	06.050	2	2D000386	08.010	1
2B003367	08.020	3	2B006722	06.050	5	2D000492	09.010	7
2B003422	01.050	9	2B006723	06.050	4	2D000507	08.030	19
2B003422	02.100	18	2B006724	06.050	13	2D000525	08.010	4
2B003424	04.060	1	2B006725	06.050	30	2D000526	08.010	5

Code	No. table	Pos.	Code	No. table	Pos.	Code	No. table	Pos.
2D000531	08.030	16	843213	02.150	15	887905	04.060	18
2D000532	08.030	14	843213	08.030	9	887915	07.020	7
2D000614	11.010	1	848650	03.180	17	887916	04.060	21
2D000614	11.020	1	849308	03.180	21	890760	03.050	13
2D000614	11.030	1	849308	03.180	6	890760	07.010	18
2D000620	11.030	2	849309	03.180	23	894704	11.010	11
2D000651	08.020	11	849310	03.180	26	894704	11.030	7
2D000652	08.020	11	849396	03.180	14	895328	03.020	5
2D000701	06.050	1	849424	03.180	8	895328	06.030	5
2G000593	02.190	14	852090	03.330	27	895709	06.050	18
2G000594	02.190	15	852391	02.120	4	895915	02.100	4
2G000595	02.190	16	856063	09.020	7	967356	01.030	6
2G000596	02.190	9	857045	03.320	2	967363	01.020	24
2H001645	02.190	2	857046	03.320	5	967363	03.020	25
2H001646	02.190	3	857047	03.320	1	967363	03.330	9
2H004113000DK	09.010	1	857181	03.320	10	974162	03.180	12
2H004114000DK	02.100	2	857250	03.170	29	974165	03.180	15
2H004115000DK	02.100	1	859792	05.010	20	974165	03.230	21
2H004116000B01	02.030	1	859792	05.020	20	976168	03.030	20
2H004116000DK	02.030	1	859946	06.030	4	976168	03.190	40
2H004117000B01	09.010	1	871640	03.100	7	976591	03.090	5
2H004118000B01	02.100	2	873905	03.170	26	97729R	03.290	1
2H004119000B01	02.100	1	873928	03.180	2	978415	02.170	7
2H004121	02.190	1	873928	03.230	12	978960	07.020	8
2H004122	02.190	4	873931	03.180	18	AP8101861	01.020	20
2H004123	02.190	5	874557	03.030	14	AP8102159	09.020	6
2H004124	02.190	8	876859	02.100	12	AP8102239	09.020	4
2H004125	02.190	6	876879	03.330	17	AP8102375	02.100	11
2H004126	02.190	7	878872	03.120	1	AP8102375	11.030	8
2H004127	02.190	4	878872	03.120	4	AP8102520	03.050	15
2H004128	02.190	5	880260	03.060	4	AP8102520	09.020	9
2H004129	02.190	6	883161	11.030	9	AP8102524	01.030	5
2H004130	02.190	7	883673	06.020	6	AP8102671	06.050	29
2Q000448	02.180	1	883688	05.010	10	AP8102738	09.020	2
2R000109	04.060	7	884031	04.080	3	AP8102764	09.020	8
2R000110	04.060	23	884033	06.030	7	AP8104525	03.050	4
2R000243	04.060	19	884043	03.330	12	AP8104924	03.050	7
2R000248	06.040	8	886634	02.030	1	AP8110053	03.020	16
319446	08.010	14	886820	02.170	12	AP8110077	07.010	7
463195	02.100	14	887003	03.270	2	AP8110109	05.020	10
478533	11.020	11	887443	02.180	2	AP8113004	06.050	6
484993	03.030	9	887448	05.020	16	AP8113081	06.030	12
484993	03.150	11	887815	03.050	8	AP8113082	06.030	13
485693	03.030	15	887831	07.010	9	AP8117003	02.100	16
485693	03.190	34	887832	07.010	12	AP8120001	02.100	13
584211	11.030	4	887843	03.050	9	AP8120001	06.050	25
584332	08.010	17	887844	03.050	12	AP8120030	06.050	10
584332	08.030	29	887852	07.020	19	AP8120178	06.030	11
638733	11.030	14	887853	07.020	20	AP8120311	01.010	8
639338	08.010	16	887858	05.010	5	AP8120455	03.050	3
639338	08.030	30	887878	04.060	4	AP8120557	09.010	4
640698	11.010	3	887879	04.060	5	AP8120615	03.050	6
641040	11.020	8	887880	04.060	6	AP8120876	03.050	11
641901	11.020	15	887882	04.060	8	AP8120912	03.020	1
642034	11.020	16	887883	04.060	9	AP8120912	06.030	1
642569	11.030	19	887884	04.060	10	AP8121014	01.030	3
648708	05.020	3	887885	04.060	11	AP8121032	02.150	6
658837	03.170	45	887886	04.060	12	AP8121072	03.330	7
680212	11.020	9	887888	04.060	13	AP8121133	01.020	19
825597	03.150	8	887889	04.060	15	AP8121205	07.010	4
825694	03.100	13	887890	04.060	17	AP8121332	09.010	5
825694	03.120	23	887891	04.060	16	AP8121420	02.170	6
825725	03.300	2	887893	04.060	20	AP8121509	03.020	26
830061	03.060	6	887894	04.060	22	AP8121567	01.020	15
831135	03.030	22	887901	07.020	3	AP8121882	06.050	21
834764	03.170	33	887902	07.020	4	AP8121927	06.030	16
834951	03.330	13	887904	07.020	1	AP8123641	07.010	6

Code	No. table	Pos.
AP8123642	07.010	10
AP8123643	07.010	11
AP8123644	07.010	8
AP8124718	08.030	26
AP8124936	08.020	7
AP8124936	11.010	7
AP8125687	05.020	2
AP8127601	09.020	10
AP8127856	01.030	7
AP8134378	03.330	5
AP8134378	08.010	9
AP8134448	08.030	5
AP8134451	01.020	18
AP8134480	11.030	17
AP8144007	03.020	4
AP8144007	06.030	6
AP8144071	03.330	6
AP8144552	11.030	13
AP8144593	02.100	6
AP8150015	06.050	12
AP8150018	03.020	24
AP8150026	03.020	19
AP8150048	01.010	14
AP8150053	08.010	10
AP8150093	01.020	13
AP8150178	05.010	17
AP8150248	02.100	5
AP8150248	02.150	17
AP8150248	08.030	3
AP8150285	06.030	15
AP8150413	06.050	27
AP8150444	06.050	24
AP8150451	02.150	18
AP8150451	06.050	19
AP8150451	08.030	2
AP8150500	02.100	3
AP8150509	03.050	10
AP8150540	07.020	14
AP8150543	07.010	2
AP8152043	06.010	8
AP8152043	06.050	16
AP8152055	03.330	10
AP8152117	08.020	5
AP8152138	03.020	17
AP8152220	01.010	26
AP8152229	02.170	8
AP8152267	03.090	7
AP8152277	03.170	49
AP8152282	11.010	4
AP8152288	06.040	5
AP8152288	09.010	2
AP8152299	02.150	8
AP8152299	06.050	26
AP8152299	07.010	15
AP8152299	11.020	6
AP8152306	08.030	4
AP8152329	03.050	1
AP8152329	08.030	21
AP8152384	07.010	5
AP8152385	06.020	2
AP8152409	01.020	17
AP8161054	03.050	16
AP8201727	06.050	32
AP8210007	03.020	20
AP8213028	07.030	5
AP8213388	07.030	6
AP8221023	03.050	18

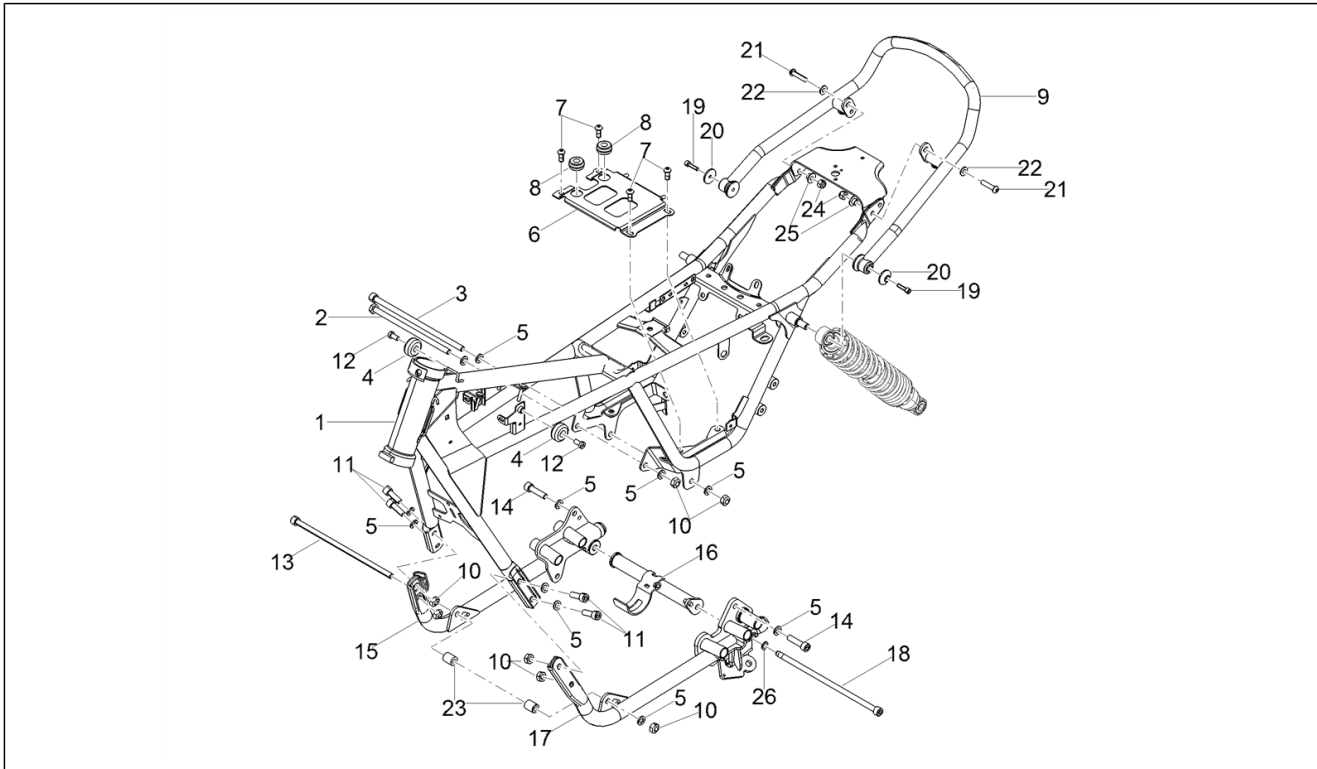
Code	No. table	Pos.
AP8221023	06.050	9
AP8221197	01.030	4
AP8221277	01.020	16
AP8224164	08.030	6
AP8224462	11.030	18
AP8257609	02.190	11
AP8257742	02.190	13
AP8257794	02.190	12
B013037	03.230	29
B013552	03.120	16
B013608	03.170	25
B013608	03.180	3
B013608	03.230	13
B015040	03.180	11
B015563	03.300	3
B015598	03.170	2
B015598	03.190	23
B016796	03.060	5
B016796	08.030	8
B016808	02.150	14
B016808	08.030	10
B017636	03.100	3
B018020	03.170	4
B018242	09.020	12
B018448	03.180	31
B045974	02.190	17
B063025	03.170	39
B063144	05.010	3
B063174	01.010	20
B063174	04.080	2
B063287	01.010	6
B063956	03.170	14
B064079	03.170	5
B064112	03.170	10
B064113	03.170	7
B064290	05.020	4
B064304	03.350	15
CM178603	08.030	23
CM178609	08.020	1
CM179008	09.020	5
CM179101	08.030	18
CM179301	02.150	12
CM179301	06.050	8
CM179302	02.150	11
CM179302	11.030	16
CM179306	08.010	6
CM180701	08.030	1
CM180702	08.030	20
CM225705	11.030	5
CM225707	11.030	5
CM225710	11.030	5
CM225715	11.030	5
CM225720	11.030	3
CM225730	11.030	5
CM226902	03.196	1
CM226902	03.320	6
CM228401	01.020	14
CM258301	03.060	13
CM258302	03.060	11
CM258303	03.050	17
CM277101	11.020	17
CM277102	11.020	18
CM312002	03.060	1
GU01528930	03.170	44
GU01528930	03.350	23
GU01528930	03.350	6
GU01609630	07.020	24

Code	No. table	Pos.
GU01659130	06.020	5
GU01659131	06.020	4
GU03013800	03.020	22
GU03013800	03.060	10
GU03605645	06.010	2
GU03609600	07.020	24
GU03612040	05.010	16
GU03631250	05.010	4
GU03631250	05.020	14
GU03658201	06.050	20
GU03658330	06.050	17
GU03749845	06.010	7
GU04355100	03.350	19
GU04355101	03.350	19
GU04355102	03.350	19
GU04355103	03.350	19
GU04355104	03.350	19
GU04355105	03.350	19
GU04355106	03.350	19
GU05217630	03.230	17
GU05234230	03.170	9
GU05235531	03.170	30
GU05238231	03.170	13
GU05238431	03.170	11
GU05239330	03.170	16
GU05351230	03.350	8
GU05659230	06.020	3
GU05781630	04.060	24
GU06418600	11.030	15
GU10034100	03.120	28
GU10528900	03.190	32
GU12022600	03.170	35
GU12154200	03.190	2
GU12351100	03.350	12
GU14085900	03.230	18
GU14086100	03.230	32
GU14217901	03.230	8
GU14609650	06.050	33
GU14609650	11.010	8
GU14609650	11.020	3
GU14609650	11.030	6
GU14615901	02.030	4
GU14615901	03.330	26
GU14615901	03.340	3
GU14615901	03.350	24
GU14616150	05.010	15
GU14616150	05.020	15
GU18144350	03.190	8
GU19002020	03.030	19
GU19002020	03.170	36
GU19002020	03.270	5
GU19003800	03.030	18
GU19003800	03.190	28
GU19015020	03.030	8
GU19017000	01.010	23
GU19018920	03.030	21
GU19018920	03.190	26
GU19021360	03.150	9
GU19058021	03.120	7
GU19067700	03.230	3
GU19351100	03.350	16
GU19547000	01.050	1
GU20258221	03.020	23
GU27066460	03.160	4
GU27152885	03.190	1
GU30601060	07.030	3
GU30602500	07.030	4

Code	No. table	Pos.
GU30630430	05.020	23
GU31003766	03.190	33
GU31003766	03.350	5
GU31159050	03.190	6
GU31544181	01.050	4
GU31544181	06.040	9
GU31610160	05.010	24
GU31614183	05.010	9
GU31616384	05.010	12
GU31659181	06.040	7
GU31659281	06.040	6
GU32441210	01.020	10
GU32442310	01.020	8
GU32442710	01.020	9
GU32461610	02.120	2
GU32603010	07.020	15
GU32603310	07.020	10
GU32615660	05.010	14
GU35214300	01.050	6
GU37359005	03.350	9
GU49609601	11.010	9
GU49609601	11.020	2
GU61270300	06.040	4
GU66103415	01.010	4
GU90271014	03.170	17
GU90271022	03.170	32
GU90272047	05.020	9
GU90353014	03.170	8
GU90401424	03.170	18
GU90402642	05.010	8
GU90413850	03.350	11
GU90706170	03.230	31
GU90706188	03.350	4
GU90706203	03.170	34
GU90706444	03.190	4
GU90706584	03.350	30
GU90706958	03.350	18
GU91120806	01.010	25
GU91120806	02.150	5
GU91551010	03.050	19
GU91551086	02.100	15
GU92201226	03.180	19
GU92201226	03.230	11
GU92201822	03.180	1
GU92204220	05.020	7
GU92204221	05.010	7
GU92296723	03.190	25
GU92606206	06.030	10
GU92606508	03.230	23
GU92609408	03.290	4
GU92630108	01.010	24
GU92630108	02.150	4
GU92630204	08.030	28
GU92630206	03.020	12
GU92630206	06.030	8
GU92630207	05.010	18
GU92630510	01.010	10
GU92630707	03.020	28
GU92660021	03.330	25
GU93180111	05.010	13
GU93180220	03.170	42
GU93304390	11.010	10
GU93304390	11.030	6
GU94321079	03.190	9
GU94321105	03.230	26
GU95005304	11.020	10
GU95005310	01.010	22

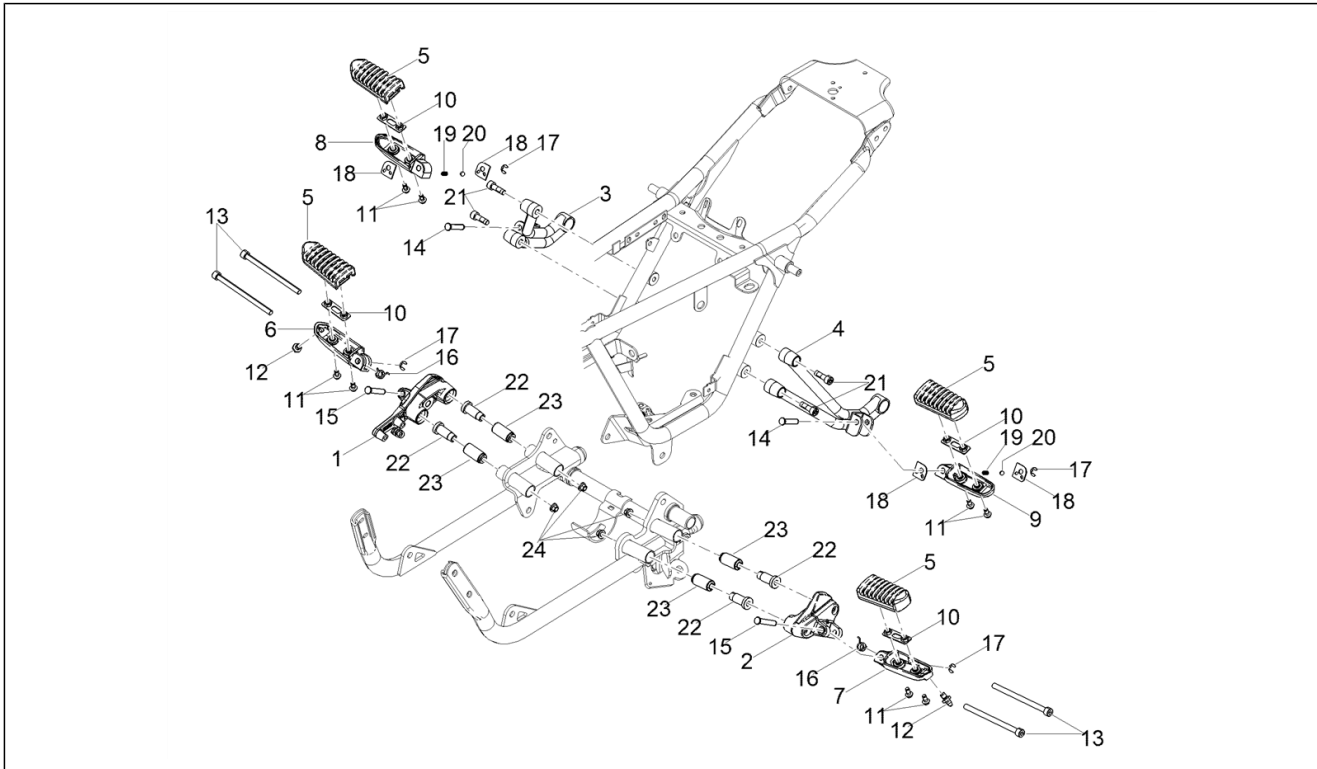
Code	No. table	Pos.
GU95005310	02.150	9
GU95005312	09.010	3
GU95008206	03.170	50
GU95008210	01.010	5
GU95008305	07.020	22
GU95008306	08.010	7
GU95008308	03.330	11
GU95020105	01.030	8
GU95021105	07.020	23
GU95100059	11.030	10
GU95100309	03.030	7
GU95100309	03.190	17
GU95129115	03.120	11
GU95129131	03.290	3
GU95129260	03.020	27
GU95500222	03.230	22
GU96451316	06.050	22
GU96451316	07.010	17
GU97202325	07.030	7
GU98110199	01.010	2
GU98230510	07.020	21
GU98370625	02.170	10
GU98612216	03.320	4
GU98622322	03.060	9
GU98632322	03.020	21
GU98680440	03.170	46
GU98680460	03.020	6
GU98682212	11.030	11
GU98682325	03.190	29
GU98682325	03.270	3
GU98682330	03.270	4
GU98682330	03.300	4
GU98682435	03.290	2
GU98682530	01.010	11
GU98690435	01.010	21
GU98690435	02.150	10
GU98690435	08.010	8
GU98690440	03.330	4
GU98690445	02.030	5
GU98692318	03.020	13
GU98882316	03.120	10
GU98882416	01.010	12

Group	Frame
Code	01.010
Description	Frame
Service	1



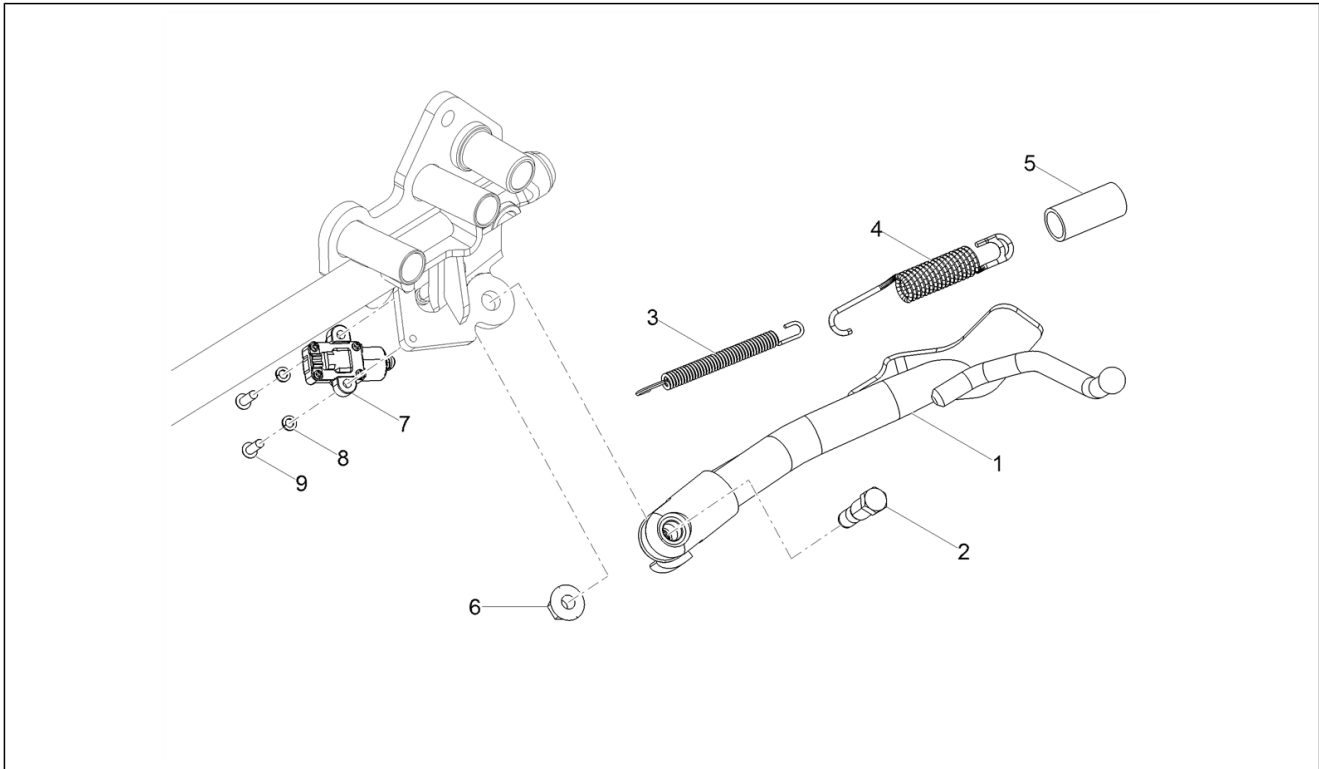
Pos.	Code	Description	Qty	Variants
1	2B006583	Frame	1	
2	GU98110199	Pin M10x205	1	
3	2B001035	Pin 234X10	1	
4	GU66103415	Rubber spacer	2	
5	GU95008210	Washer 10,2X18X2	11	
6	B063287	Frame union plate	1	
7	2B002311	Oval head torx screw M8X20	4	
8	AP8120311	Rubber spacer	2	
9	2B007486	Passenger handle	1	
10	GU92630510	Nut M10x1,5	4	
11	GU98682530	Hex socket screw M10x30	4	
12	GU98882416	M8x16 SHC screw	2	
13	2B001612	Pin M10X253	1	
14	AP8150048	Hex socket screw	2	
15	2B007596	RH cradle arm	1	
16	2B002810	Chassis crossbeam	1	
17	2B007595	LH cradle arm	1	
18	2B002817	M10 pin	1	
19	2B002195	Pre-coated IX M6X35 SHC screw	2	
20	B063174	Bush	2	
21	GU98690435	Hex socket screw M8x35	2	
22	GU95005310	Washer 8,4x18x2	2	
23	GU19017000	Bushing	3	
24	GU92630108	Nut	2	
25	GU91120806	Spacer	2	
26	AP8152220	Washer	1	

Group	Frame
Code	01.020
Description	Foot rests
Service	1



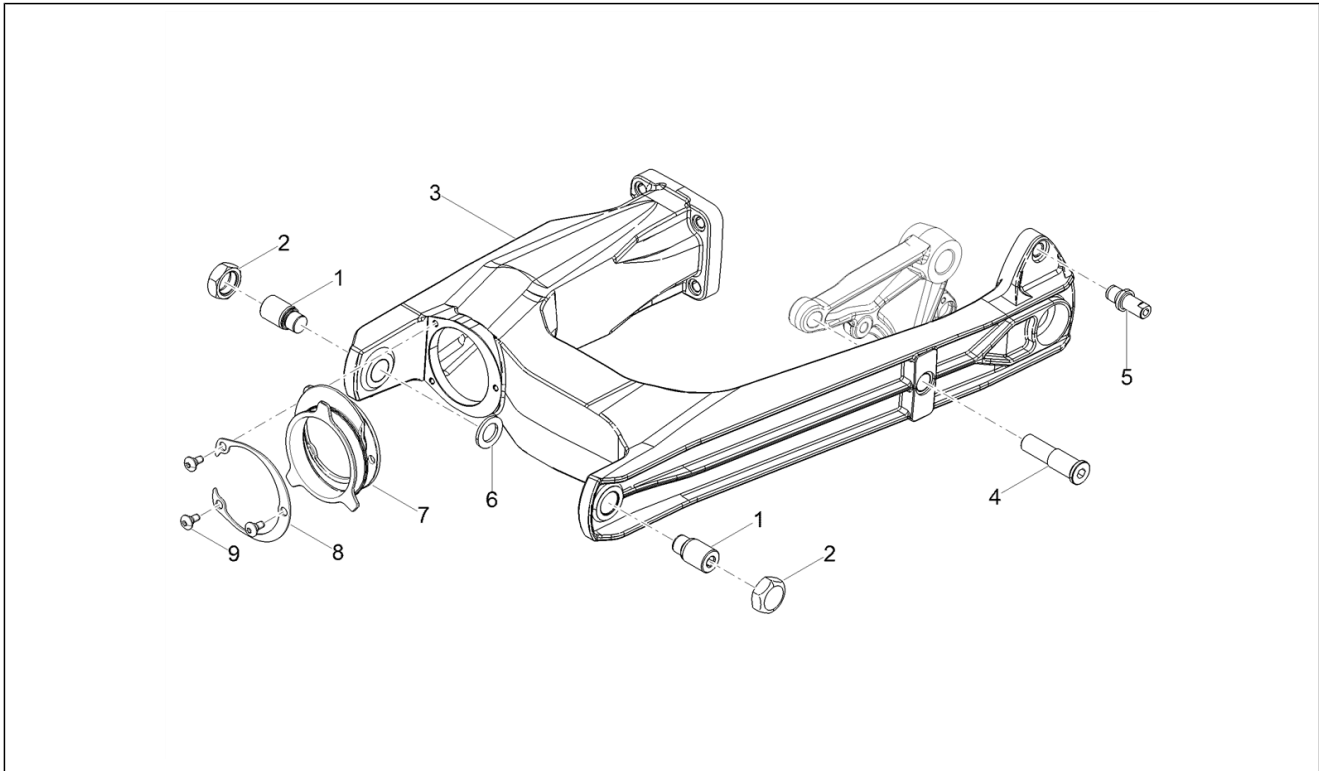
Pos.	Code	Description	Qty	Variants
1	2B002919	RH foot rest support	1	
2	2B002219	LH front footrest bracket	1	
3	2B006811	RH footrest support	1	
4	2B006810	LH footrest support	1	
5	2B002225	Footrest rubber	4	
6	2B006170	RH Foot rests	1	
7	2B006169	LH Foot rests	1	
8	GU32442310	Rear footrest, RH	1	
9	GU32442710	Rear footrest, LH	1	
10	GU32441210	Plate	4	
11	2B005143	Screw w/ flange M6x12	8	
12	2B004856	Footrest pin	2	
13	AP8150093	Hex socket screw M8x120	4	
14	CM228401	Footrest pin	2	
15	AP8121567	Pin	2	
16	AP8221277	Footrest return spring	2	
17	AP8152409	Stop ring	4	
18	AP8134451	Footrest plate	4	
19	AP8121133	Coil compress. spring	2	
20	AP8101861	Ball D6,35	2	
21	2B002171	Special cap screw 8x25	4	
22	2B007597	Spacer	4	
23	2B007415	Silent-block	4	
24	967363	Nut M8x1,25	4	

Group	Frame
Code	01.030
Description	Central stand
Service	1



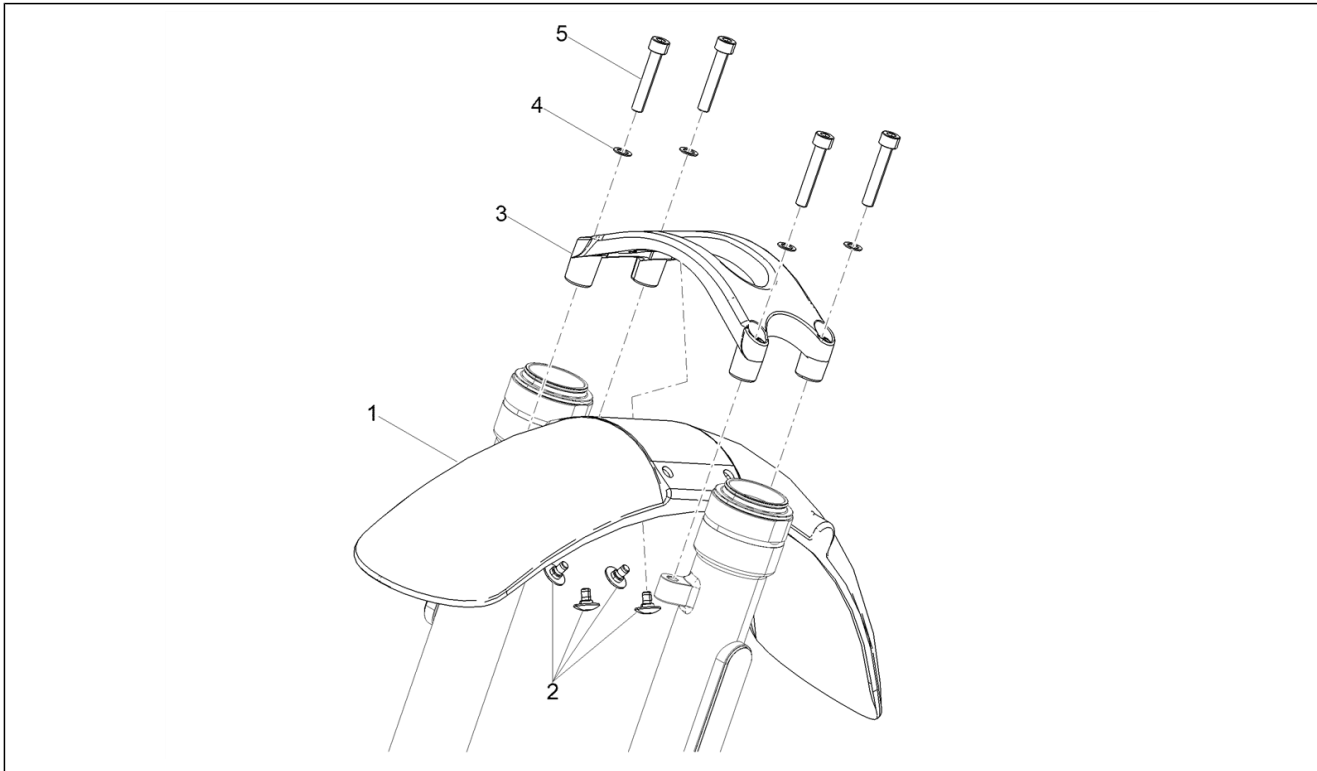
Pos.	Code	Description	Qty	Variants
1	2B007551	Lateral stand	1	
2	2B004819	Stand pin	1	
3	AP8121014	Coil pull spring	1	
4	AP8221197	Lateral stand spring	1	
5	AP8102524	Stand spring protection	1	
6	967356	Flanged nut M10x1,25	1	
7	AP8127856	Lateral stand switch	1	
8	GU95020105	Washer 5,3x8,9x2,4	1	
9	1C001499	TBEI TORX screw M5x16 INOX	2	

Group	Frame
Code	01.050
Description	Swing arm
Service	1



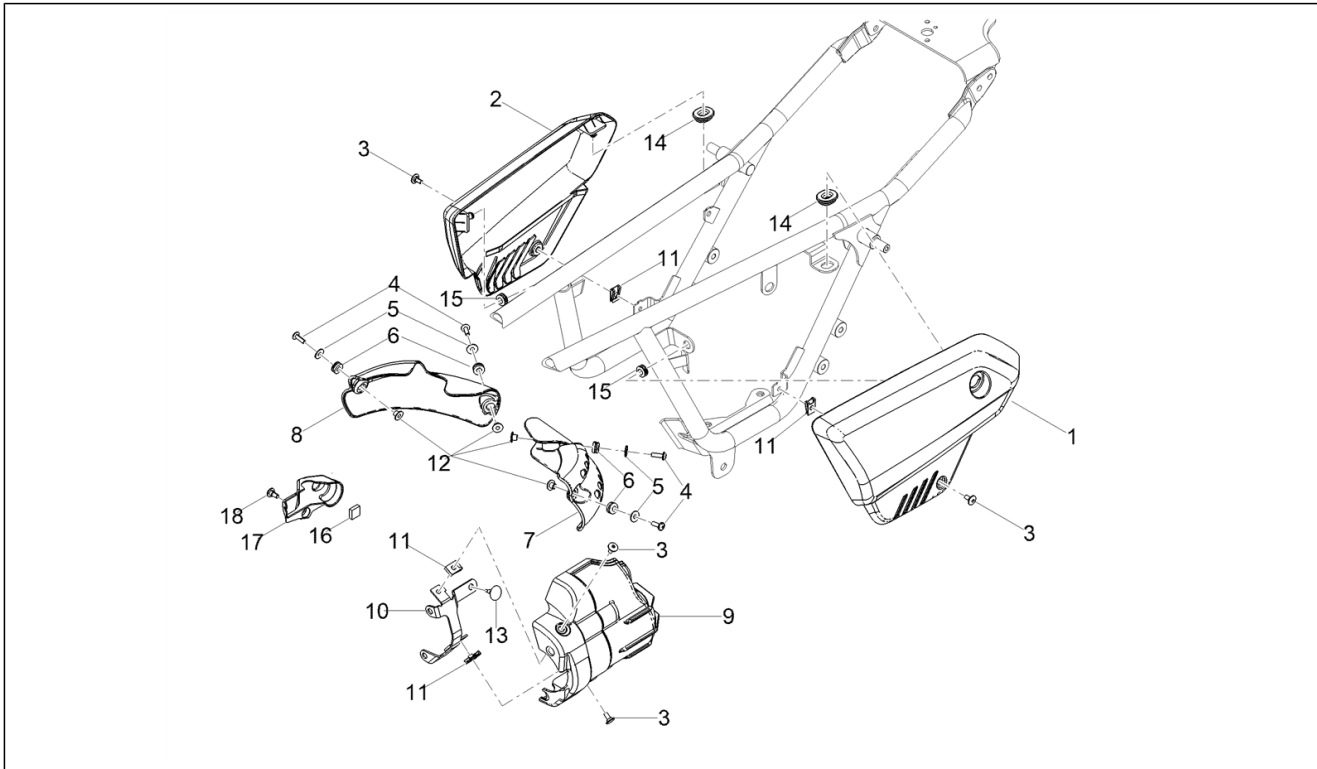
Pos.	Code	Description	Qty	Variants
1	GU19547000	Adjusting pin	2	
2	2B005856	Spindle nut	2	
3	2B007787	Swing arm	1	
4	GU31544181	Pin	1	
5	2B003111	Shock absorber pin	1	
6	GU35214300	Tickness	1	
7	2B002205	Rubber bellows	1	
8	2B003212	Fixing plate	1	
9	2B003422	M5x12 pre-coated countersunk hex head Torx screw	3	

Group	Body
Code	02.030
Description	Front mudguard-Pillar
Service	1



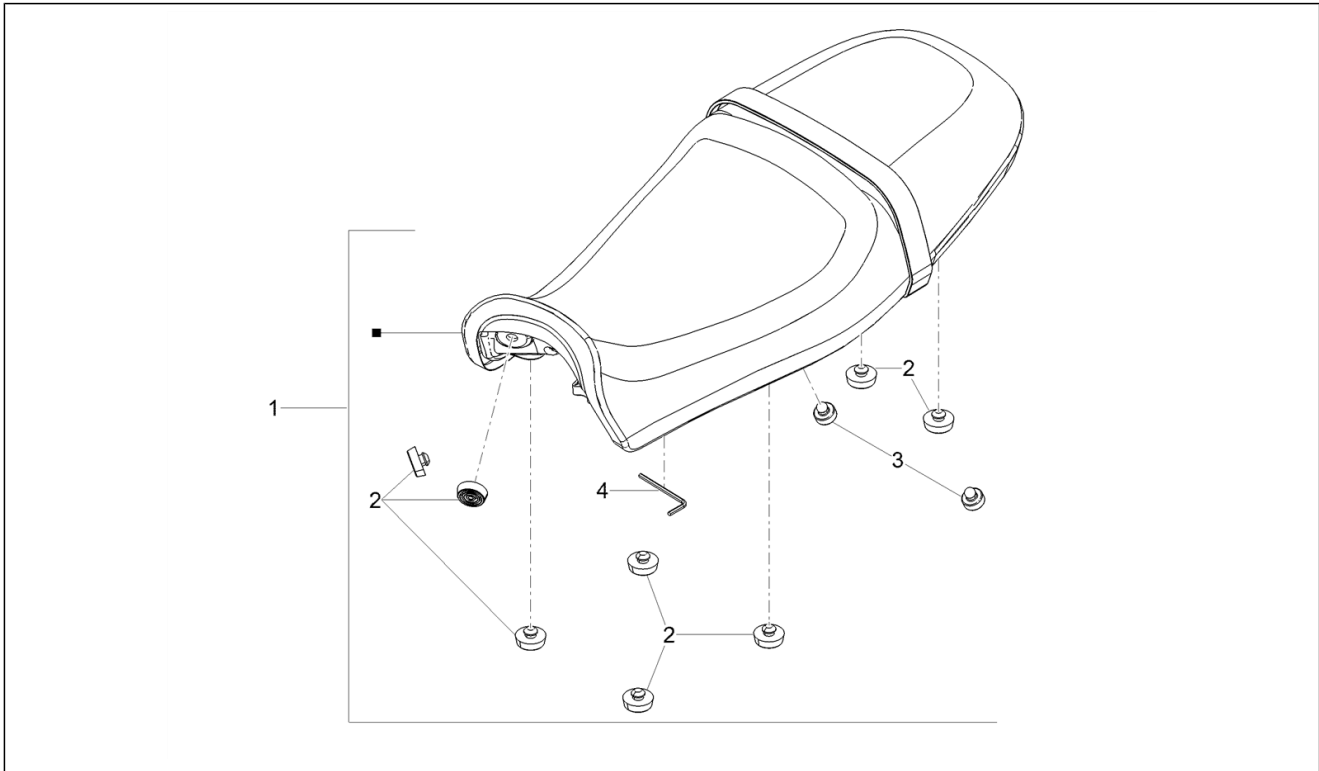
Pos.	Code	Description	Qty	Variants
1	2H004116000B01	White front mudguard	1	Technical Specification: Decal[D] Colour: White[WHI]
1	2H004116000DK	Blue front mudguard	1	Technical Specification: Decal[D] Colour: Deep blue[BLU]
1	886634	Front mudguard blank	1	Colour: Blank[gr]
2	2B004825	TBEI pre-impregnated screw M6x11	4	
3	2B007933	Stabilization plate	1	
4	GU14615901	Washer 8,4X13X0,8	4	
5	GU98690445	screw M8x45	4	

Group	Body
Code	02.100
Description	Central body
Service	1



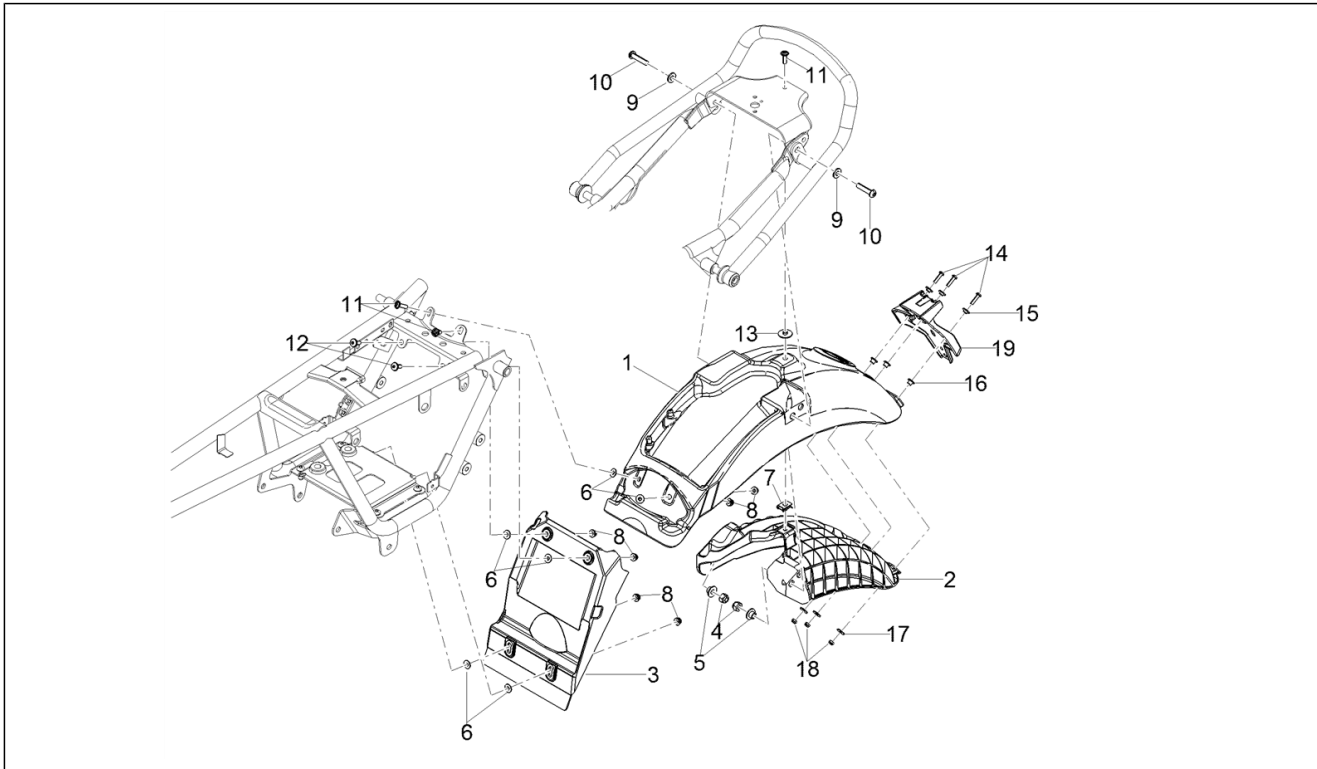
Pos.	Code	Description	Qty	Variants
1	2H004115000DK	LH side panel, blue	1	Technical Specification: Decal[D] Colour: Deep blue[BLU]
1	2B007461	LH side panel, blank	1	Colour: Blank[gr]
1	2H004119000B01	LH side panel, white	1	Technical Specification: Decal[D] Colour: White[WHI]
2	2H004118000B01	RH side panel, white	1	Technical Specification: Decal[D] Colour: White[WHI]
2	2B007462	RH side panel, blank	1	Colour: Blank[gr]
2	2H004114000DK	RH side panel, blue	1	Technical Specification: Decal[D] Colour: Deep blue[BLU]
3	AP8150500	Hex socket screw M5x9 NERINOX	4	
4	895915	Screw w/ flange M5X16	4	
5	AP8150248	Washer 5,5x15x1,6	4	
6	AP8144593	Rubber spacer	4	
7	2B003451	Left injector covers	1	
8	2B003450	Right injector covers	1	
9	2B006168	Starter motor cover	1	
10	2B002937	Cover support bracket	1	
11	AP8102375	Clip M5	8	
12	876859	Spacer	4	
13	AP8120001	Rubber spacer	1	
14	463195	Elastic drift	2	
15	GU91551086	Rubber spacer	2	
16	AP8117003	Adhesive sponge 15X5	1	
17	2B006091	Cable harness cover	1	
18	2B003422	M5x12 pre-coated countersunk hex head Torx screw	1	

Group	Body
Code	02.120
Description	Saddle
Service	1



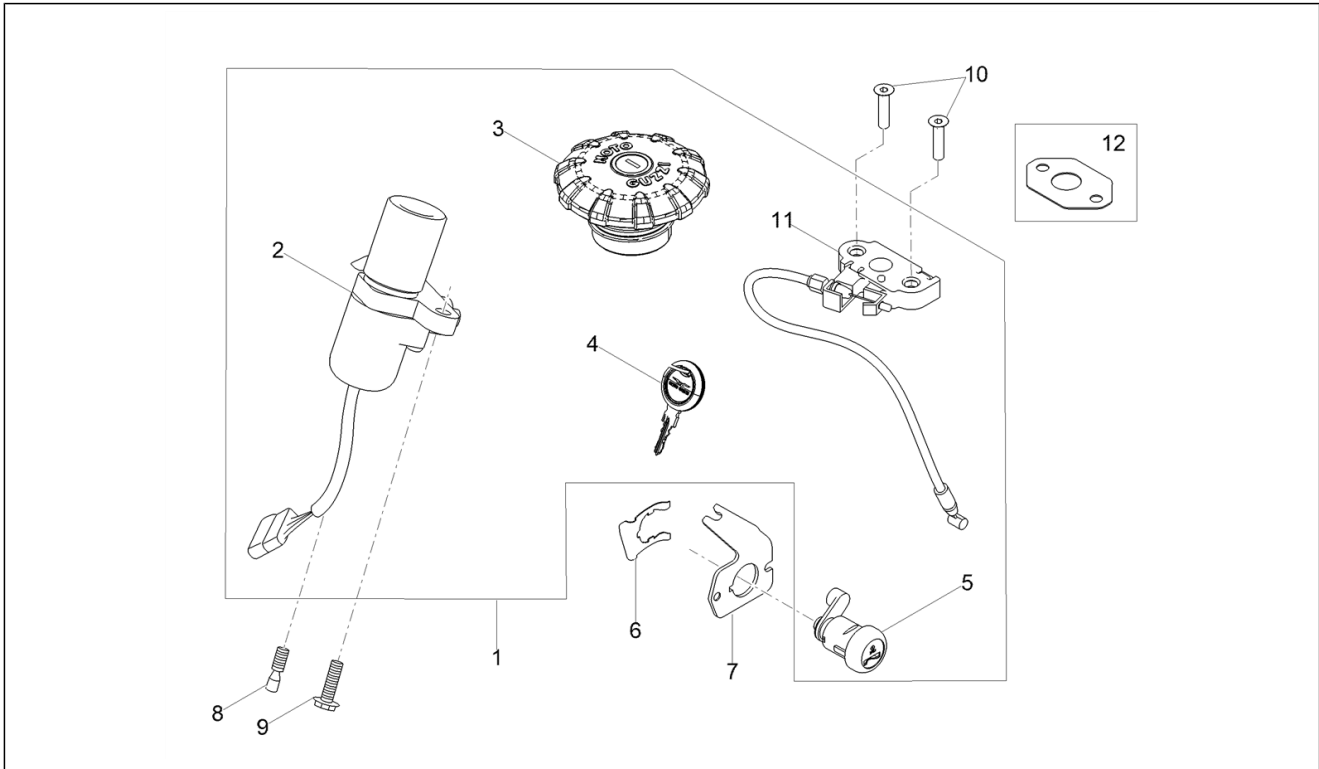
Pos.	Code	Description	Qty	Variants
1	2B007448000C2	Saddle	1	
2	GU32461610	Rubber spacer	8	
3	2B000421	Rubber spacer	2	
4	852391	Hex key	1	

Group	Body
Code	02.150
Description	Rear mudguard
Service	1



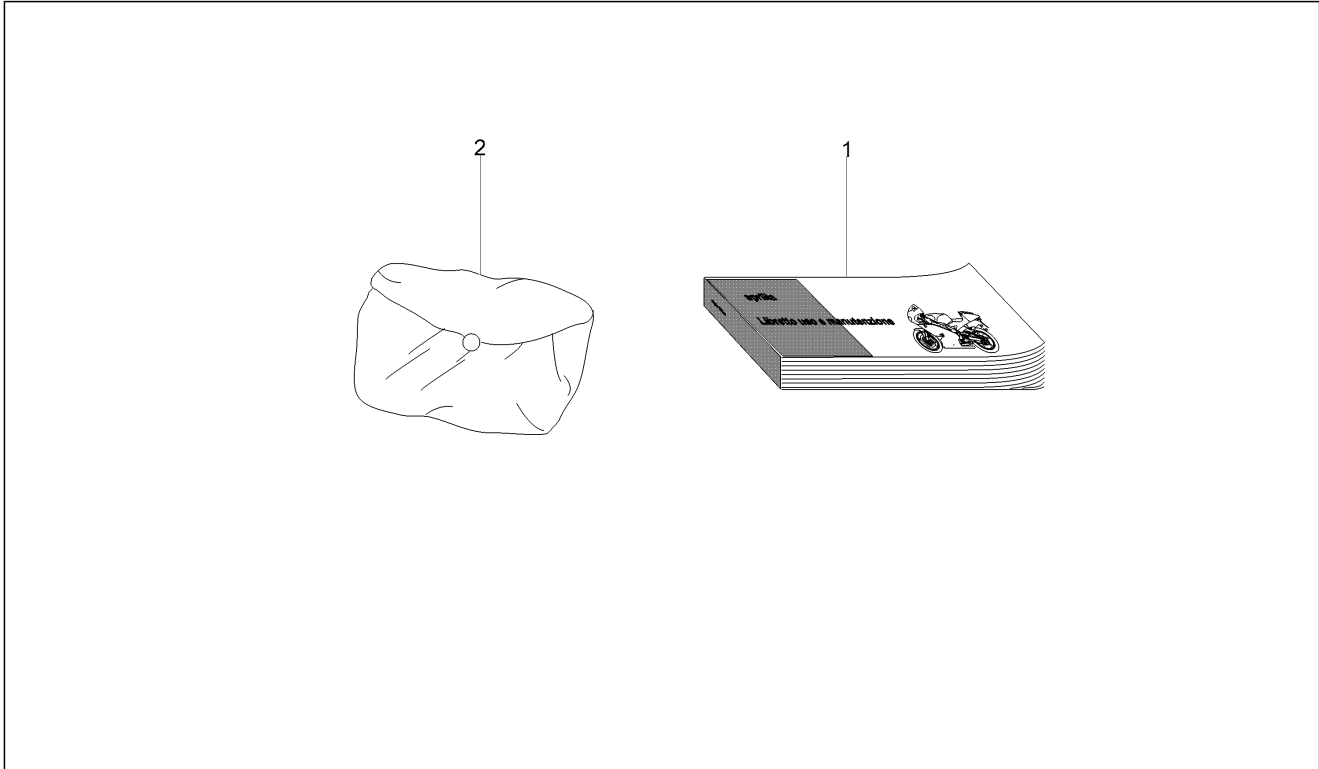
Pos.	Code	Description	Qty	Variants
1	2B007463	Rear mudguard	1	
1	2B007463000XN5	Rear mudguard, black	1	
2	2B007464	Rear mudguard reinforcement	1	
3	2B007631	Splash guard	1	
4	GU92630108	Nut	2	
5	GU91120806	Spacer	2	
6	AP8121032	Bush	6	
7	254485	Spring plate M6	1	
8	AP8152299	Self-locking nut M6	6	
9	GU95005310	Washer 8,4x18x2	2	
10	GU98690435	Hex socket screw M8x35	2	
11	CM179302	Metric screw TBC	3	
12	CM179301	Torx head cylinder head screw M6x16	2	
13	2B006604	T bush	1	
14	B016808	Covex head screw with torx M5x20	3	
15	843213	T bush	3	
16	2B006416	Flanged spacer	3	
17	AP8150248	Washer 5,5x15x1,6	3	
18	AP8150451	Low self-locking nut M5	3	
19	2B007468	Number plate support	1	

Group	Body
Code	02.170
Description	Locks
Service	1



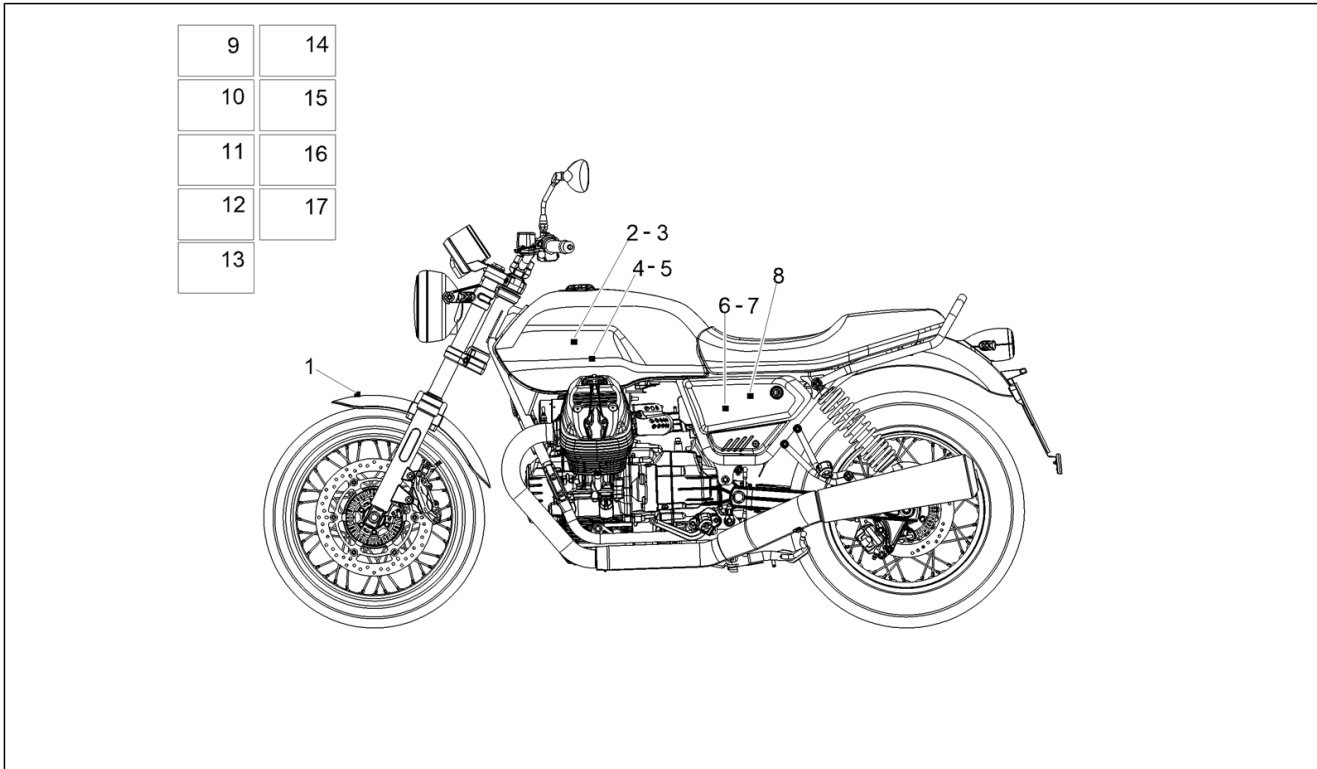
Pos.	Code	Description	Qty	Variants
1	2B008488	Lock kit	1	
2	2D000351	Key switch	1	
3	2B0039954	Plug	1	
4	2B003994	Milled key	1	
5	2B004009	Seat lock with key	1	
6	AP8121420	Fork spring	1	
7	978415	Cable fixing plate	1	
8	AP8152229	Shear rivet M8x20	1	
9	2B002494	Pre-coated M8x20 SHC screw	1	
10	GU98370625	Hex socket screw M6x25	2	
11	2B008482	Saddle closing transmission	1	
12	886820	Saddle lock fix.plate	1	

Group	Body
Code	02.180
Description	Plate set / Various
Service	1



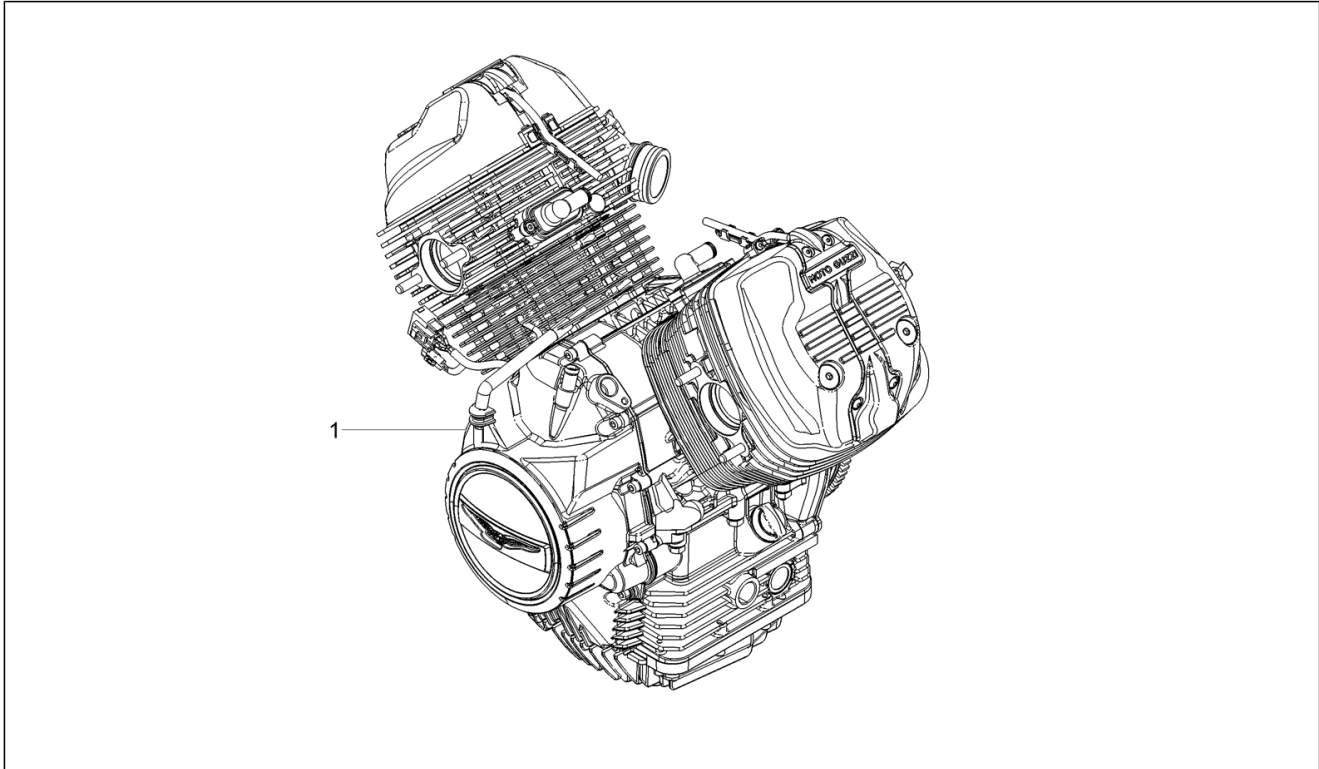
Pos.	Code	Description	Qty	Variants
1	2Q000448	Op's handbook EN-US-FR-ES-IT	1	
2	887443	Toolkit	1	

Group	Body
Code	02.190
Description	Decal
Service	1



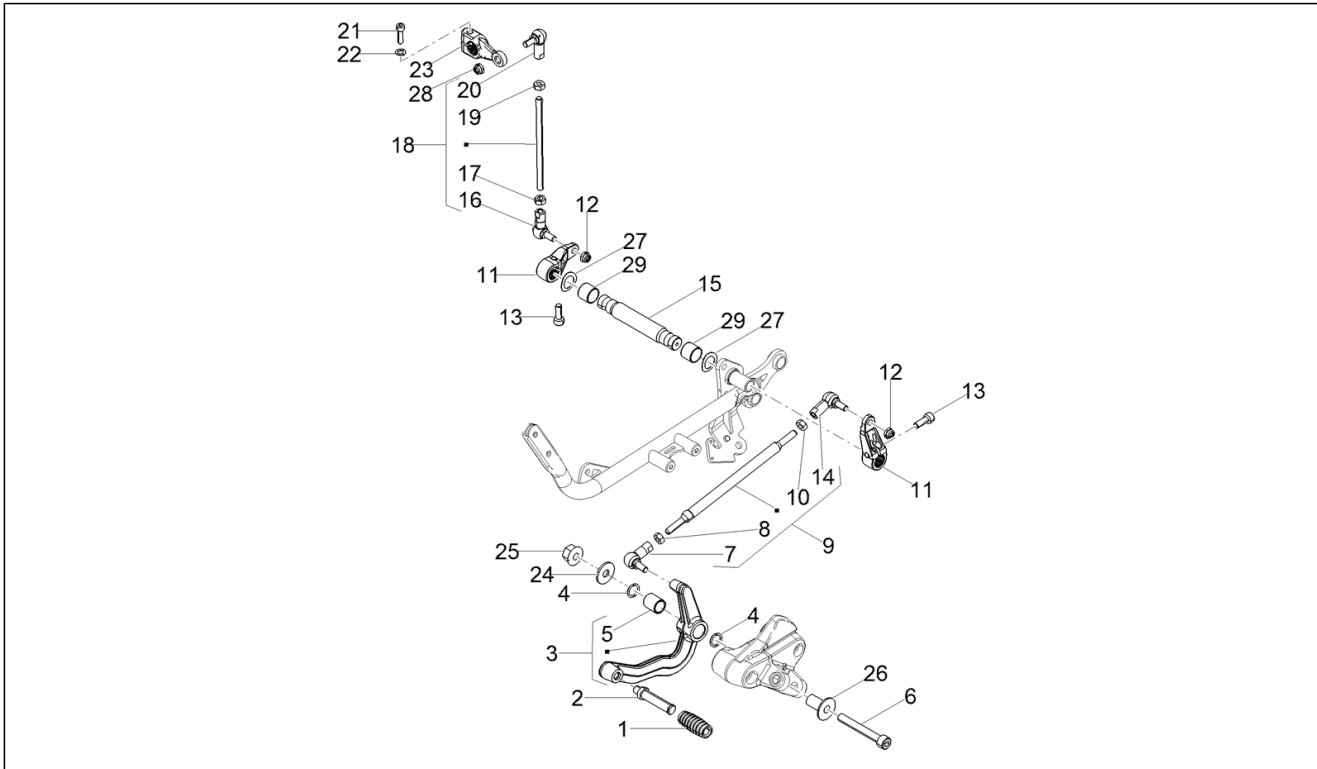
Pos.	Code	Description	Qty	Variants
1	2H004121	Front mudguard decal	1	Colour:Deep blue[BLU] White[WHI]
2	2H001645	"Eagle" decal right	1	Colour:Deep blue[BLU] White[WHI]
3	2H001646	LH "Aquila" badge	1	Colour:Deep blue[BLU] White[WHI]
4	2H004122	Tank right band decal	1	Colour:Deep blue[BLU]
4	2H004127	Tank right band decal	1	Colour:White[WHI]
5	2H004123	Tank left band decal	1	Colour:Deep blue[BLU]
5	2H004128	Tank left band decal	1	Colour:White[WHI]
6	2H004125	RH strip decal	1	Colour:Deep blue[BLU]
6	2H004129	RH strip decal	1	Colour:White[WHI]
7	2H004126	LH strip decal	1	Colour:Deep blue[BLU]
7	2H004130	LH strip decal	1	Colour:White[WHI]
8	2H004124	RH-LH plate "V7 Special"	2	Colour:Deep blue[BLU] White[WHI]
9	2G000596	Tyre pressure decal	1	Colour:Deep blue[BLU] White[WHI]
10	2B008499	Side panel disassembly decal	1	Colour:Deep blue[BLU] White[WHI]
11	AP8257609	Mirror decal	1	
12	AP8257794	Battery decal	1	
13	AP8257742	Keys warning decal	1	
14	2G000593	Noise emission sticker	1	
15	2G000594	Emission control sticker	1	
16	2G000595	Carbon filter sticker	1	
17	B045974	Fuel decal E15	1	

Group	Engine
Code	03.010
Description	Engine-Completing part-Lever
Service	1



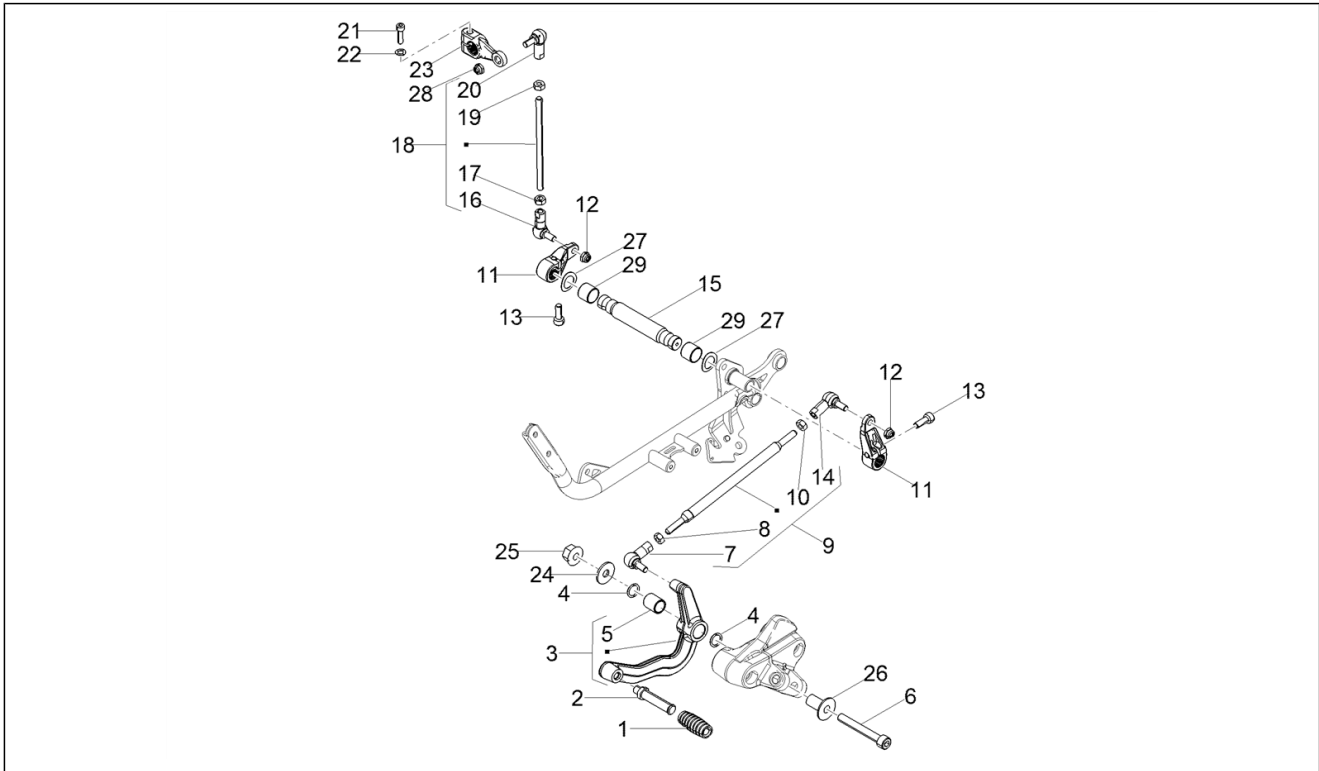
Pos.	Code	Description	Qty	Variants
1	1A017918	Engine without gearbox	1	

Group	Engine
Code	03.020
Description	Gear lever
Service	1



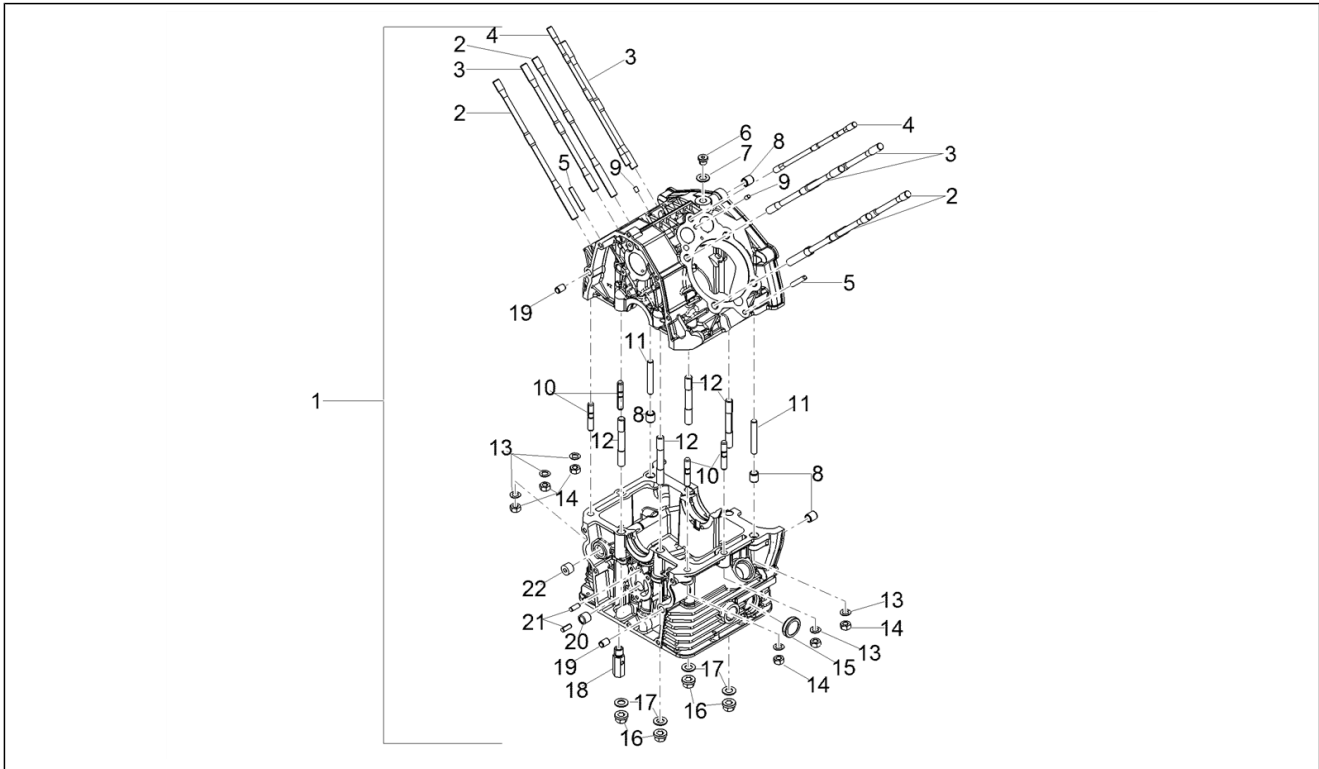
Pos.	Code	Description	Qty	Variants
1	AP8120912	Lever rubber	1	
2	2B004818	Rubber pedal	1	
3	2B003348	Complete gearchange lever	1	
4	AP8144007	O-ring 11,11x1,78	2	
5	895328	Sintered bushing	1	
6	GU98680460	Hex socket screw M8x60	1	
7	2B004822	Left ball joint M6	1	
8	2B004828	LH thread nut	1	
9	2B004914	Complete gearbox link rod	1	
10	2B004827	RIGHT threaded nut	1	
11	2B004348	Gear change lever	2	
12	GU92630206	Self-locking nut M6x1	2	
13	GU98692318	Hex socket screw M6x18	2	
14	2B004821	RH ball joint M6	1	
15	2B001009	Lever pin	1	
16	AP8110053	Left ball joint M6	1	
17	AP8152138	Nut	1	
18	2B001941	Gear control tie rod	1	
19	AP8150026	Nut M6	1	
20	AP8210007	RH ball joint M6	1	
21	GU98632322	screw	1	
22	GU03013800	Washer 6,4x12	1	
23	GU20258221	Shift lever	1	
24	AP8150018	Washer	1	
25	967363	Nut M8x1,25	1	
26	AP8121509	Bush	1	
27	GU95129260	Spring washer	2	
28	GU92630707	Nut M6	1	

Group	Engine
Code	03.020
Description	Gear lever
Service	1



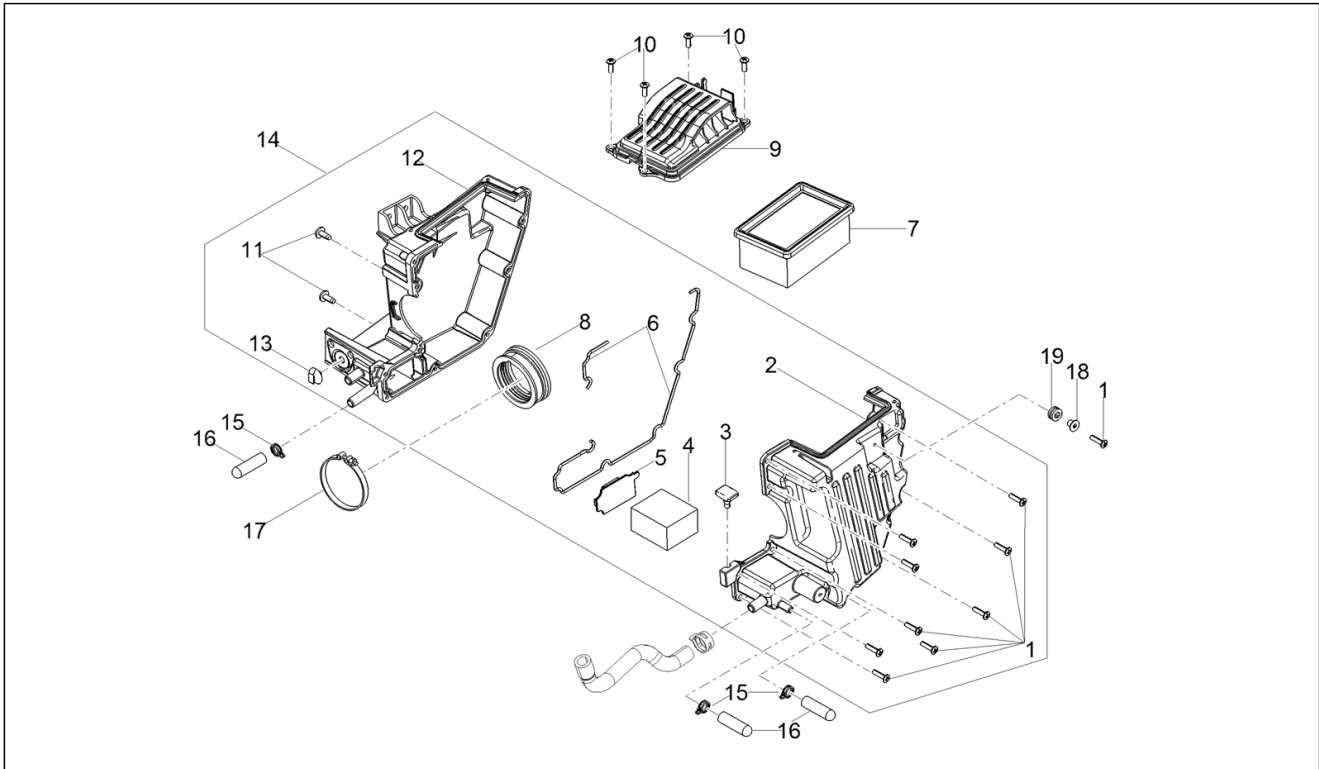
Pos.	Code	Description	Qty	Variants
29	2B004219	Bushing	1	

Group	Engine
Code	03.030
Description	Crankcases I
Service	1



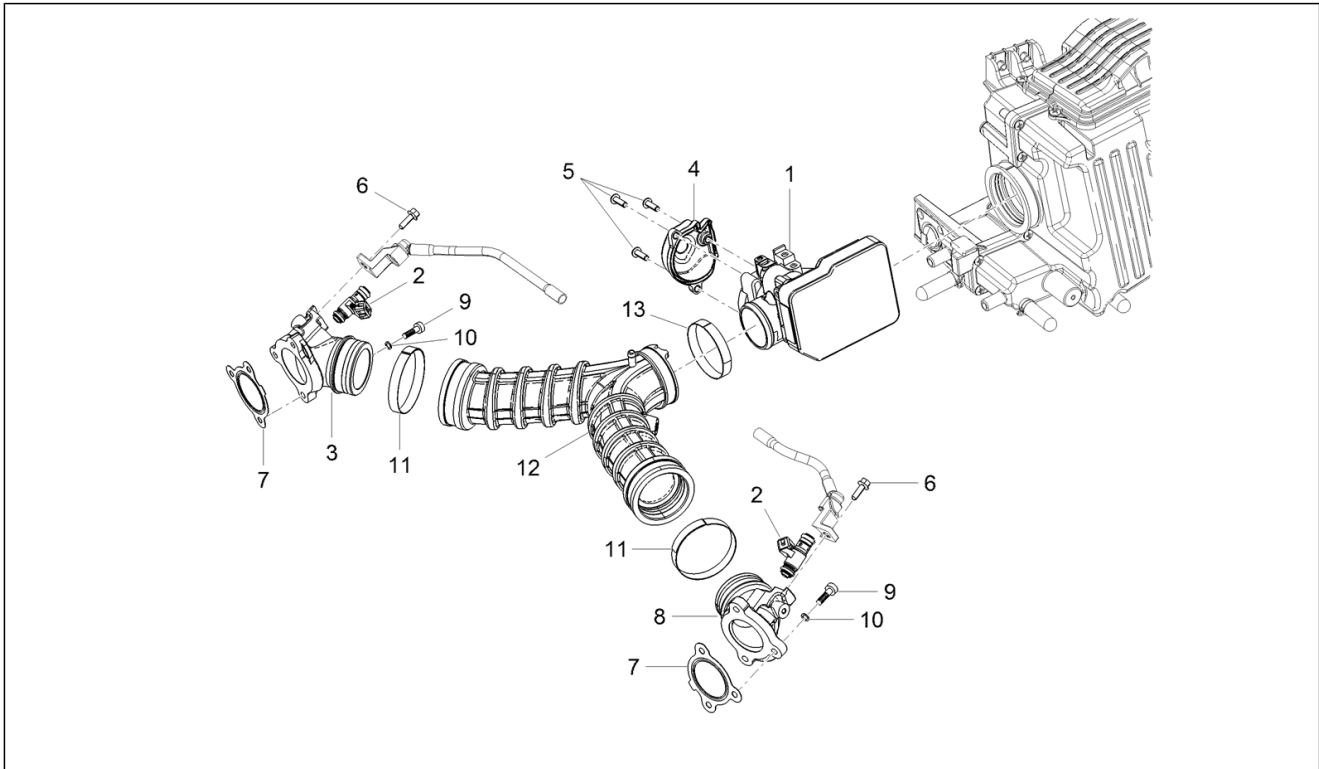
Pos.	Code	Description	Qty	Variants
1	1A019205	Coupled crankcase	1	
2	1A008102	Long head stud bolt	4	
3	1A008103	Short head stud bolt	4	
4	1A008104	Central head stud bolt	2	
5	1A008256	Stud bolt	2	
6	1A009653	Plug M10	1	
7	GU95100309	Washer	1	
8	GU19015020	Bushing	4	
9	484993	Locating dowel	2	
10	1A018712	Stud bolt	4	
11	1A018733	Stud bolt	2	
12	1A004530	Stud bolt	4	
13	1A018734	Metallic flat washer	6	
14	874557	Flanged nut M8x1,25	6	
15	485693	Oil level indicator	1	
16	1A006656	Flanged nut M10x1	4	
17	1A006655	Flat washer	4	
18	GU19003800	Joint	1	
19	GU19002020	Bushing 6,6x9x13	2	
20	976168	Drawn cap 10x14x12	1	
21	GU19018920	Pin	2	
22	831135	Plug M14x1,5	1	

Group	Engine
Code	03.050
Description	Air box
Service	1



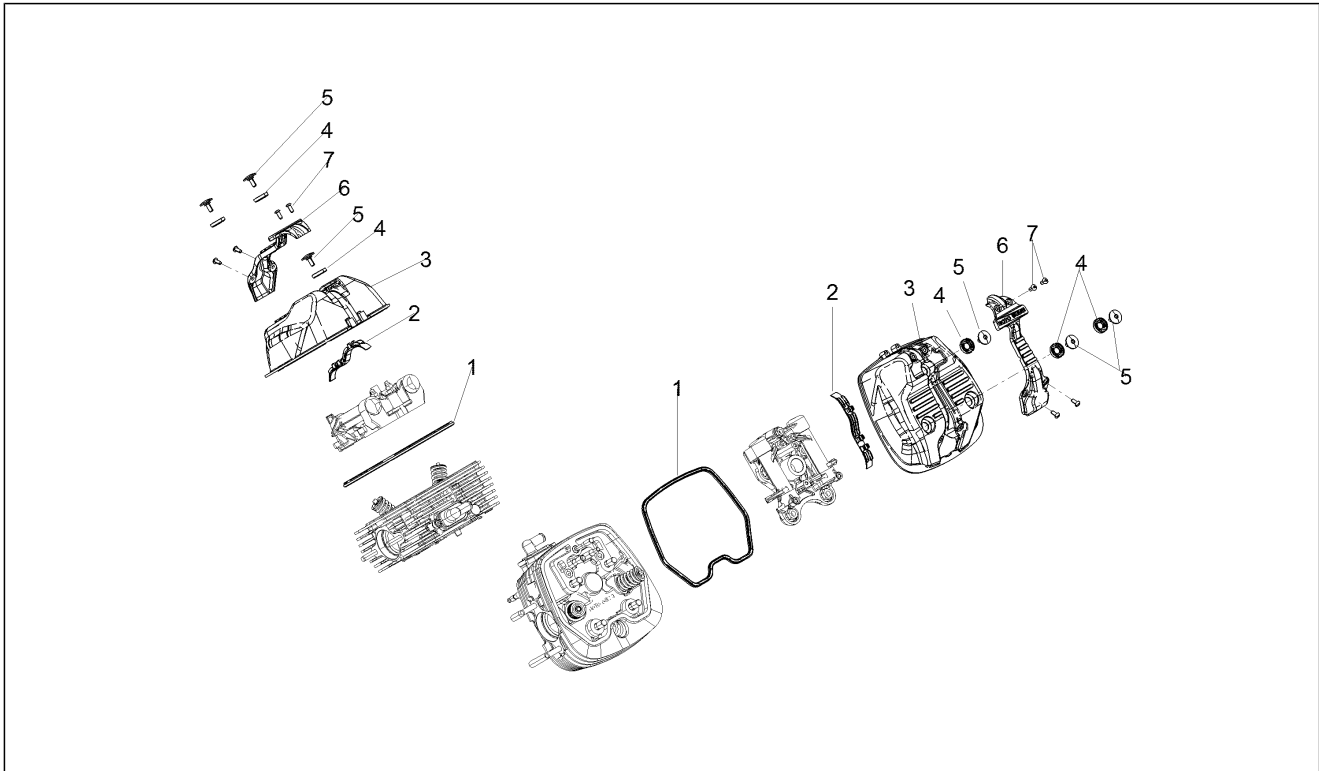
Pos.	Code	Description	Qty	Variants
1	AP8152329	Phillips screw, SWP M5x20	9	
2	2B008082	LH filter housing cover	1	
3	AP8120455	Rubber spacer	1	
4	AP8104525	Filter blow-by	1	
5	2B002851	Diaphragm	1	
6	AP8120615	Gasket D3	1	
7	AP8104924	Air filter	1	
8	887815	Intake hose	1	
9	887843	Air filter cover	1	
10	AP8150509	Self-tap screw 5x14	4	
11	AP8120876	Plug	2	
12	887844	Filter box right shell	1	
13	890760	Instrument support	1	
14	2B008083	Filter box	1	
15	AP8102520	Hose clamp	3	
16	AP8161054	Cap	3	
17	CM258303	Hose clamp 63	1	
18	AP8221023	T bush	2	
19	GU91551010	Rubber 10X20X10	2	

Group	Engine
Code	03.060
Description	Throttle body
Service	1



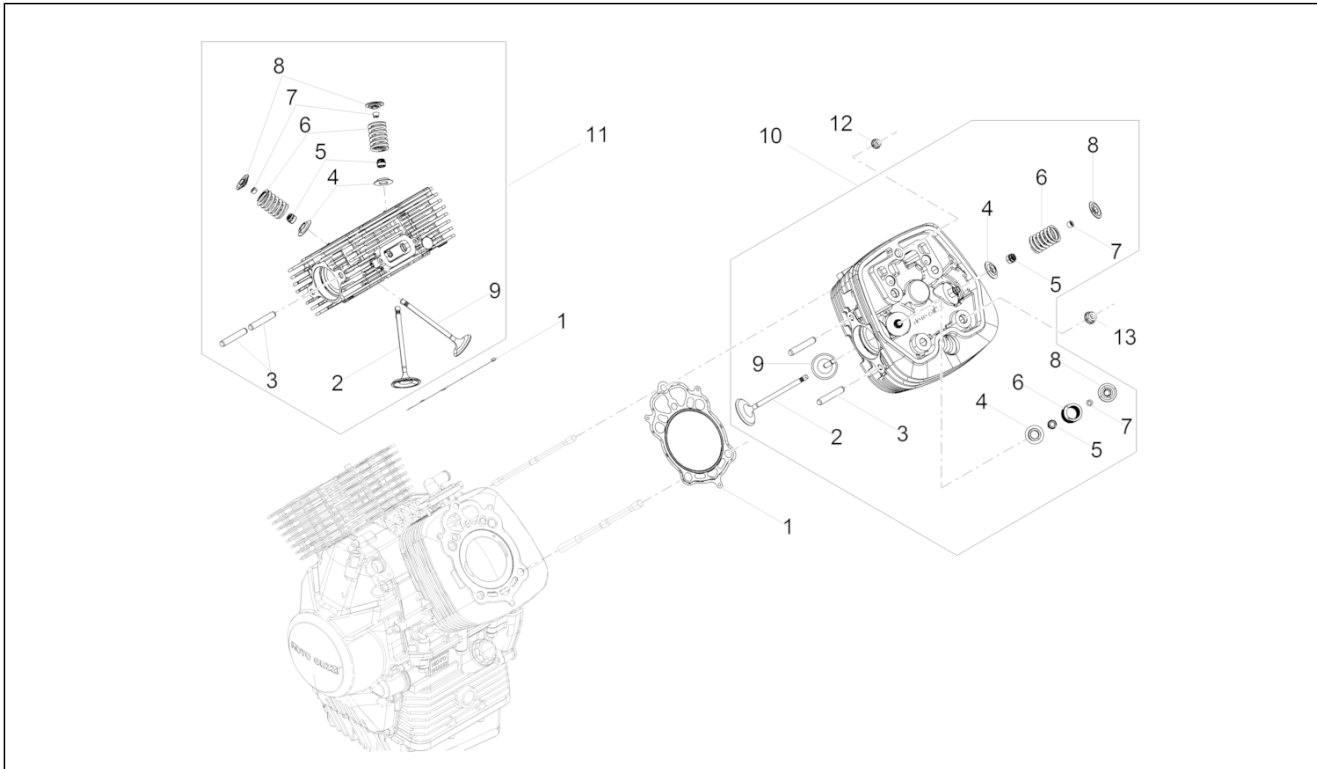
Pos.	Code	Description	Qty	Variants
1	CM312002	Throttle body with ECU	1	
2	1D001393	Injector	2	
3	1A017660	RH intake connector	1	
4	880260	Throttle body cover	1	
5	B016796	Torx convex big end screw	3	
6	830061	Flanged hexagon screw M5x16	2	
7	1A009167	Gasket	2	
8	1A017659	LH intake connector	1	
9	GU98622322	screw	6	
10	GU03013800	Washer 6,4x12	6	
11	CM258302	Hose clamp	2	
12	1A016324	Throttle body hose	1	
13	CM258301	Hose clamp	1	

Group	Engine
Code	03.090
Description	Head cover
Service	1



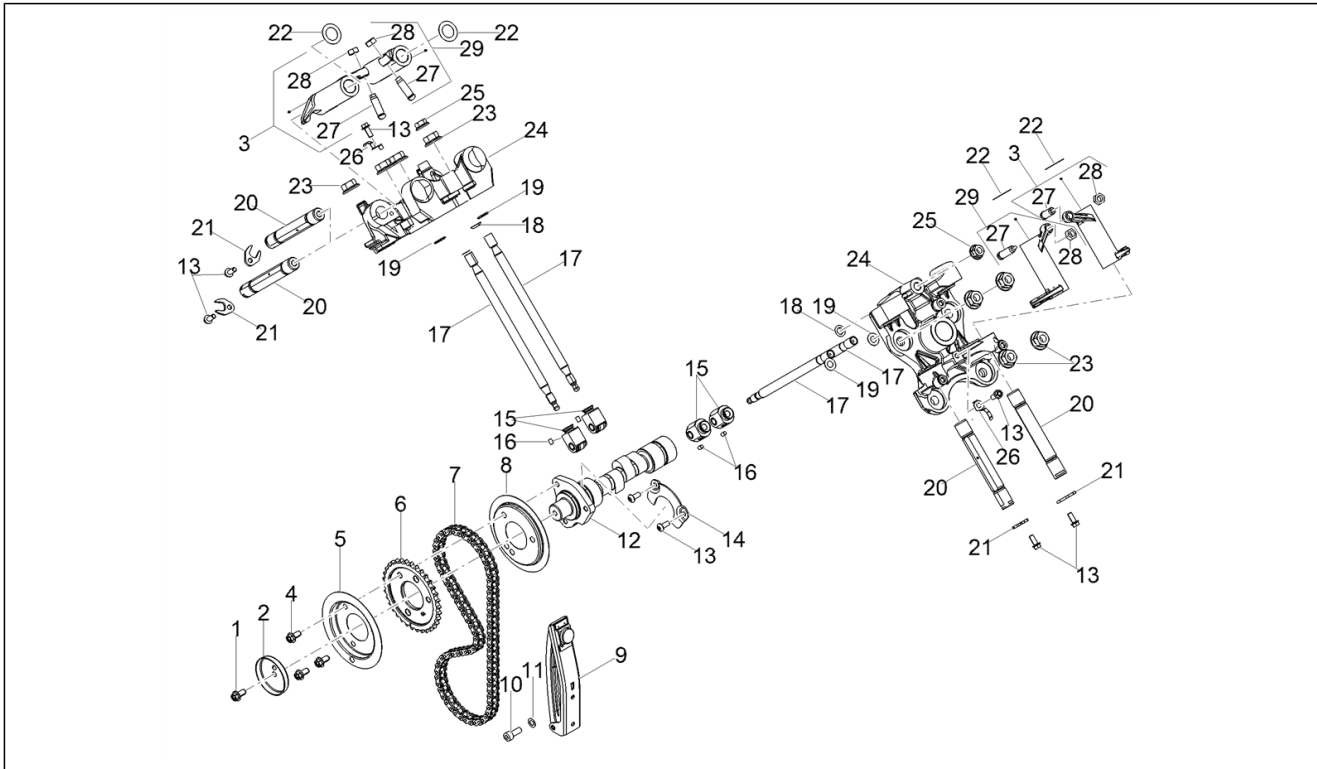
Pos.	Code	Description	Qty	Variants
1	2A000565	Head cover gasket	2	
2	2A000659	Fairlead	2	
3	1A017912	Head cover	2	
4	1A006716	Damper drift	6	
5	976591	Special screw	6	
6	1A017047	Spark plug cover	2	
7	AP8152267	Hex socket screw M5x12	8	

Group	Engine
Code	03.100
Description	Cylinder head - valves
Service	1



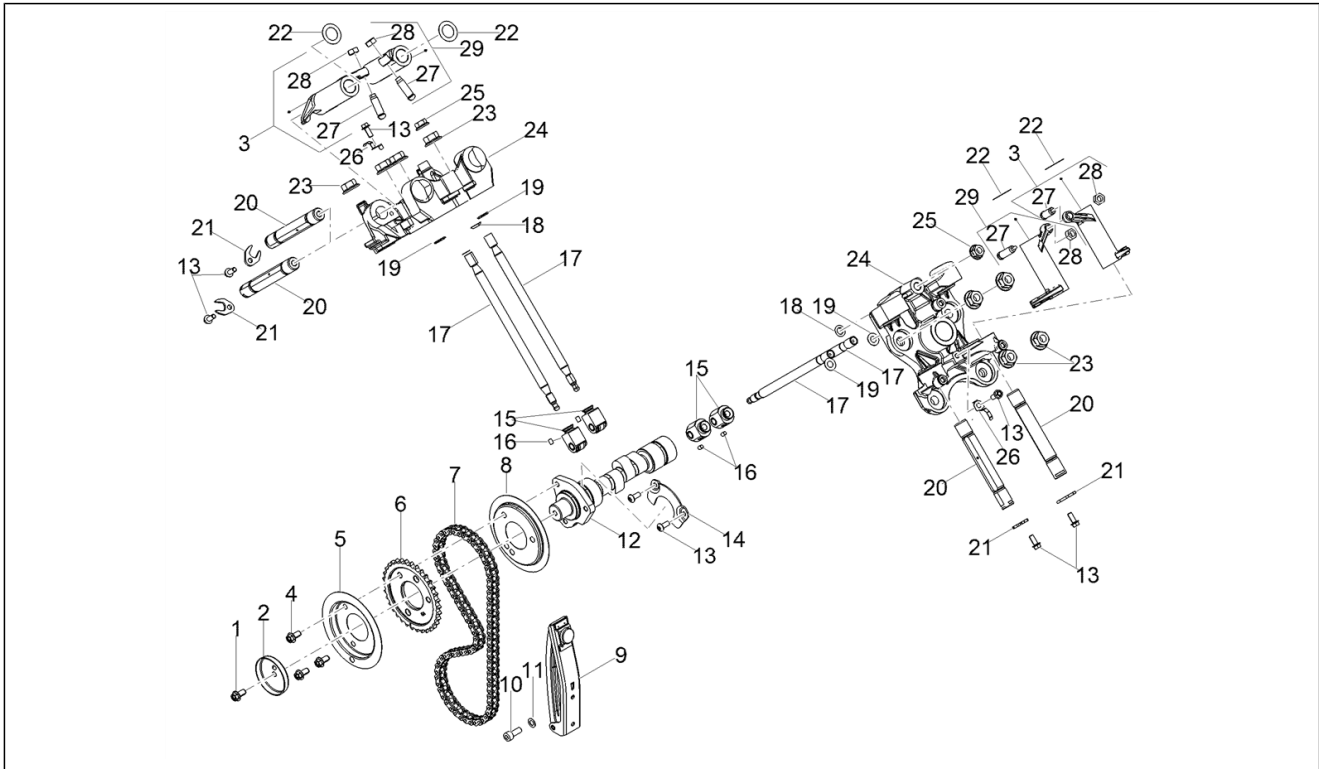
Pos.	Code	Description	Qty	Variants
1	1A004660	Cylinder/head gasket sp. 0,6 mm	1	
1	1A004661	Cylinder/head gasket SP. 0.8 mm	1	
1	1A004662	Cylinder/head gasket SP. 1 mm	1	
2	1A016297	Valve, in	2	
3	B017636	Exhaust pipe stud bolt	2	
4	1A004751	Lower cap	4	
5	1A003452	Valve gasket ring	2	
6	1A011173	Valve return spring	4	
7	871640	Half-cone	8	
8	1A004750	Upper cap	4	
9	1A014459	Exhaust valve	2	
10	1A017906	LH head assy with valve	1	
11	1A017908	RH head assy w/h valve	1	
12	1A006659	Flanged nut M8x1.25	1	
13	825694	Nut M10x1,25	1	

Group	Engine
Code	03.120
Description	Timing system
Service	1



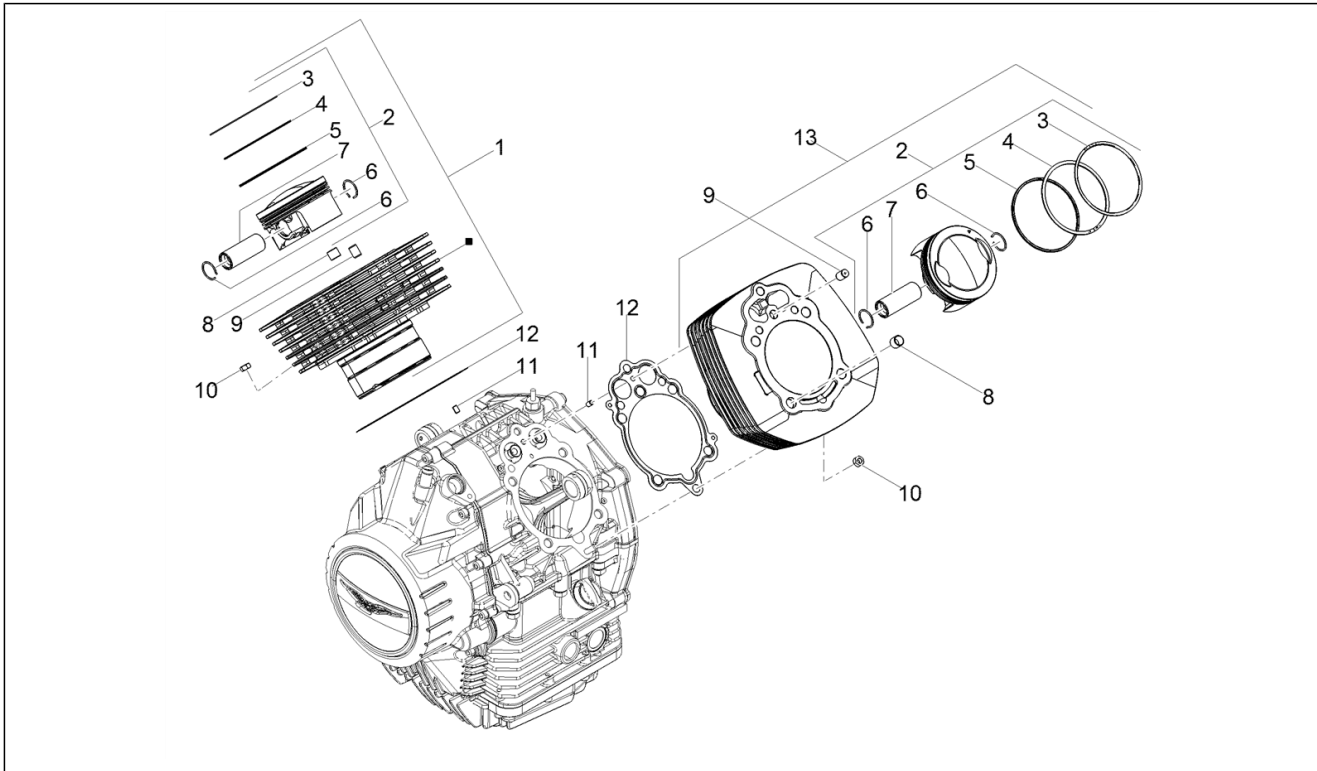
Pos.	Code	Description	Qty	Variants
1	878872	Screw w/ flange	1	
2	1A016844	Protection	1	
3	1A004903	Right exhaust left intake rocker	2	
4	878872	Screw w/ flange	3	
5	1A016330	Retaining plate	1	
6	1A006243	Timing system gear	1	
7	GU19058021	Camshaft chain	1	
8	1A005955	Plate	1	
9	1A017035	Chain stretching drive	1	
10	GU98882316	screw	1	
11	GU95129115	Washer	1	
12	1A018338	Camshaft with i.p.	1	
13	1A015041	Screw m5x12 torx	8	
14	1A009346	Camshaft retaining plate	1	
15	1A013671	Roller tappet	4	
16	B013552	Roller	4	
17	1A012793	Rocker arm rod	4	
18	1A006861	Gasket ring	2	
19	2A000579	O-Ring seal ring 2,62x9.19	4	
20	1A011963	Rocker shaft	4	
21	1A017540	Fork	4	
22	1A005951	Curved spring washer	4	
23	825694	Nut M10x1,25	8	
24	1A013883	Rocker arm support	2	
25	1A006659	Flanged nut M8x1.25	2	
26	2A000527	Plate	2	
27	1A004907	Adjuster screw	4	
28	GU10034100	Nut	4	

Group	Engine
Code	03.120
Description	Timing system
Service	1



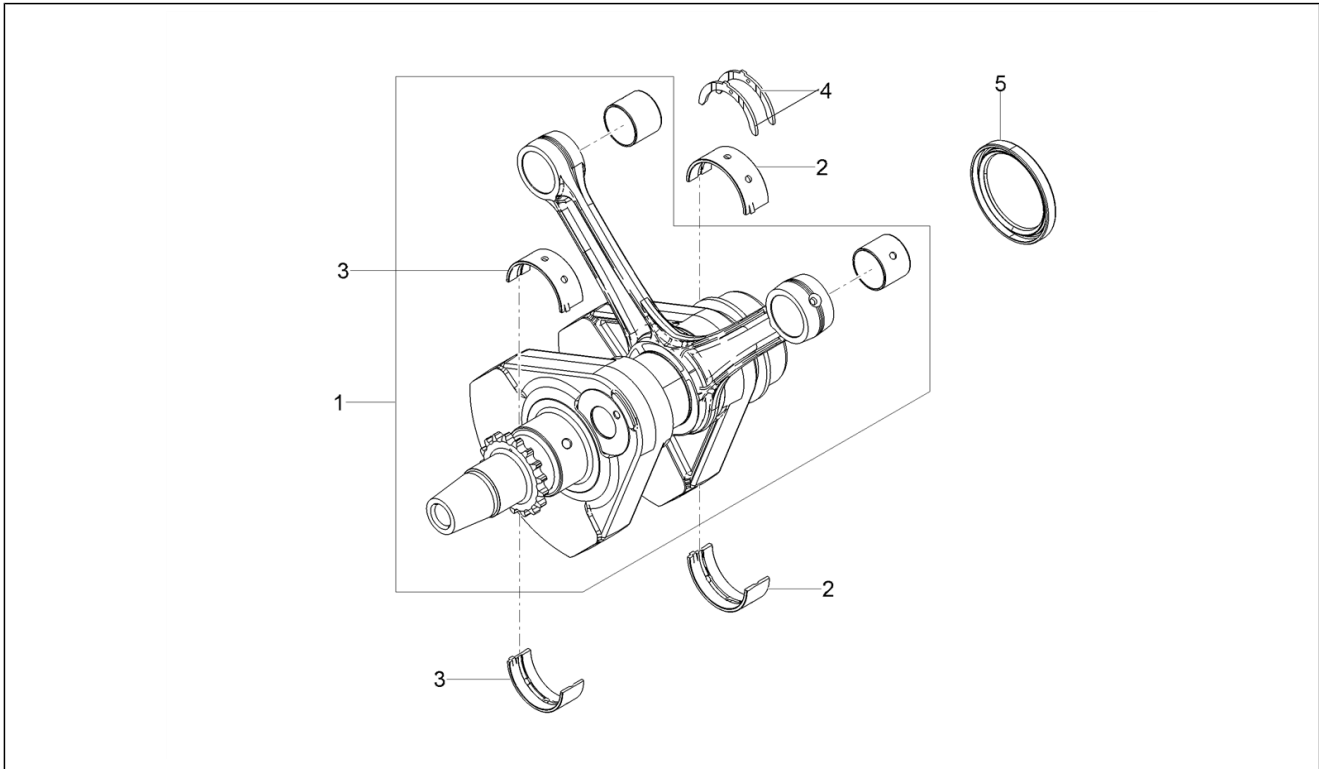
Pos.	Code	Description	Qty	Variants
29	1A004905	Left exhaust right intake rocker	1	

Group	Engine
Code	03.150
Description	Cylinder - Piston
Service	1



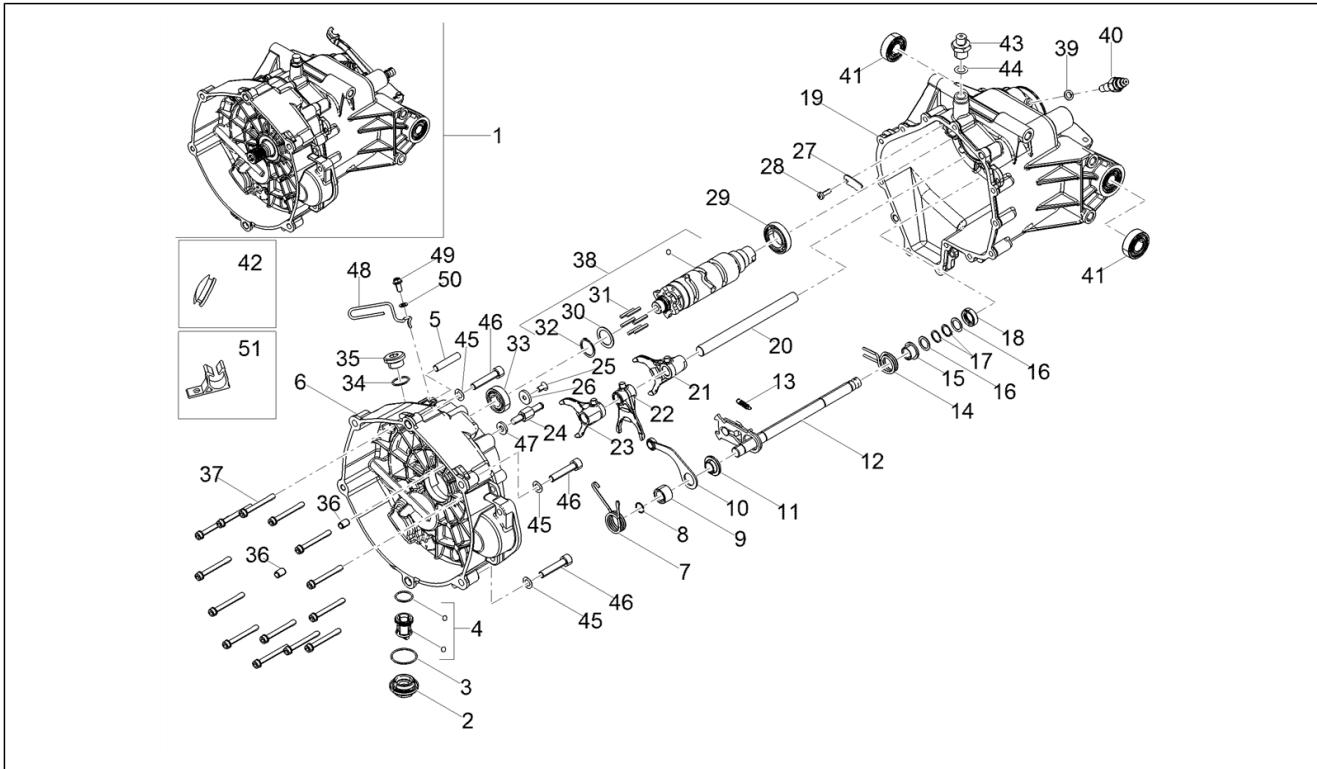
Pos.	Code	Description	Qty	Variants
1	1A017910	Cylinder with piston assy., RH	1	
2	1A0152720G	Complete piston, cat. G	1	
2	1A0152720H	Complete piston, cat. H	1	
2	1A0152720L	Complete piston, cat. L	1	
2	1A0152720M	Complete piston, cat. M	2	
3	1A013936	Compression ring	2	
4	1A004954	Compression ring	2	
5	1A004955	Oil scraper ring	2	
6	1A011548	Crank pin retainer ring	4	
7	1A008933	Piston pin	2	
8	825597	Pin 11,8X10	2	
9	GU19021360	Bushing	2	
10	288245	Self locking nut M6	2	
11	484993	Locating dowel	2	
12	1A010855	Crankcase/cylinder gasket	2	
13	1A017909	Cylinder with piston assy., LH	1	

Group	Engine
Code	03.160
Description	Drive shaft
Service	1



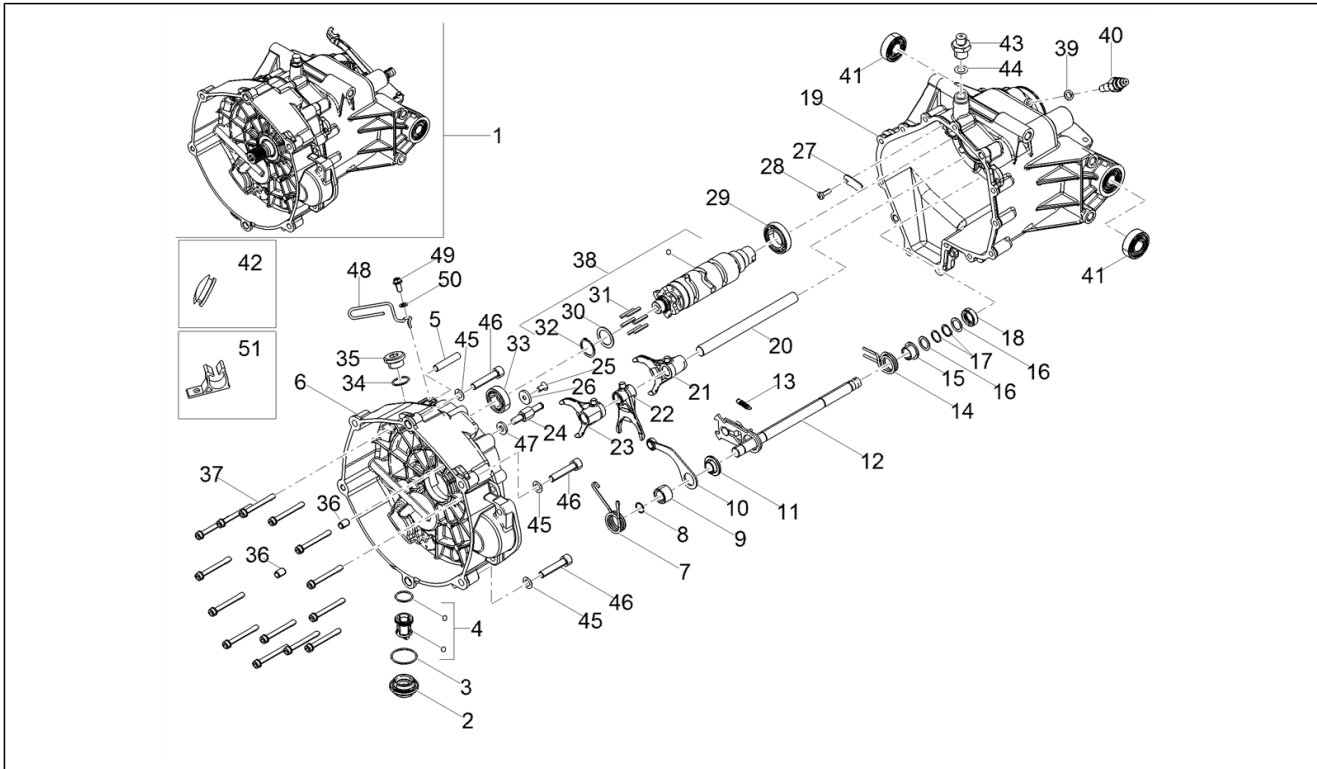
Pos.	Code	Description	Qty	Variants
1	2A001099	Crankshaft assembly	1	
2	1A0066690N	Rear main half-bearing, black	2	
2	1A0066690V	Rear main half-bearing, green	2	
2	1A0066690G	Rear main half-bearing, yellow	1	
3	1A0066680G	Front main half-bearing, yellow	1	
3	1A0066680N	Front main half-bearing, black	1	
3	1A0066680V	Front main half-bearing, green	1	
4	GU27066460	Half-clamp	2	
5	1A010753	Gasket ring 56x72x8	1	

Group	Engine
Code	03.170
Description	Gear box / Selector / Shift cam
Service	1



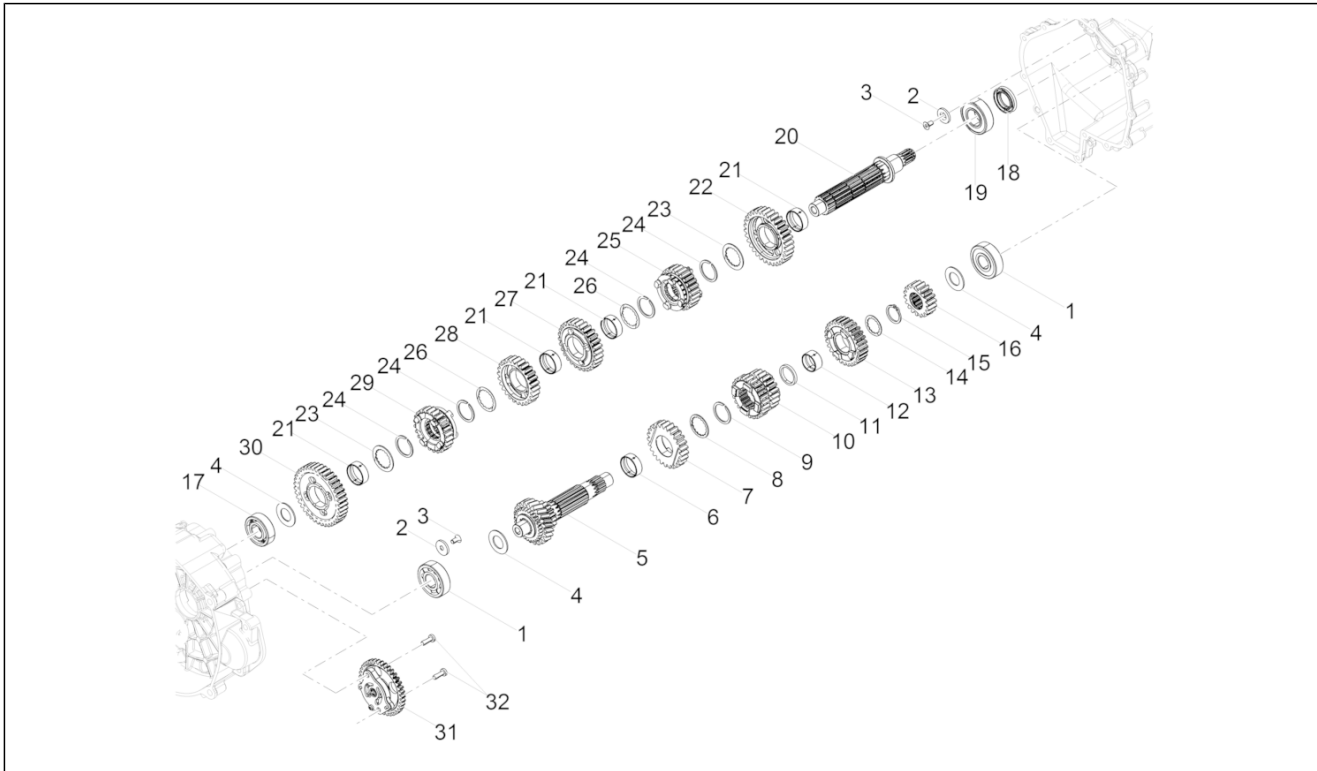
Pos.	Code	Description	Qty	Variants
1	2A0011145	Transmission, assy	1	
2	B015598	Oil filter plug	1	
3	1A016739	Gasket 31,47x1,78	1	
4	B018020	Oil filter cpl.	1	
5	B064079	Threaded pin	1	
6	2A001118	Clutch drum	1	
7	B064113	Index spring	1	
8	GU90353014	Circlip	1	
9	GU05234230	Spacer	1	
10	B064112	Index assy. lever	1	
11	GU05238431	Bushing	1	
12	2A000926	Preselection complete	1	
13	GU05238231	Spring	1	
14	B063956	Spring	1	
15	2A000467	Spacer	1	
16	GU05239330	Fifth wheel	2	
17	GU90271014	Circlip	2	
18	GU90401424	Gasket ring 14x24x7	1	
19	2A001116	Gear box	1	
20	2A000224	Rod	1	
21	2A000226	Fork 2-3 speed	1	
22	2A000227	5-6 gear fork	1	
23	2A000225	Fork for secondary shaft	1	
24	2A001139	Set screw	1	
25	B013608	Screw	1	
26	873905	Washer	1	
27	2A000306	Lock plate	1	
28	2A000241	Screw M5x16	1	

Group	Engine
Code	03.170
Description	Gear box / Selector / Shift cam
Service	1



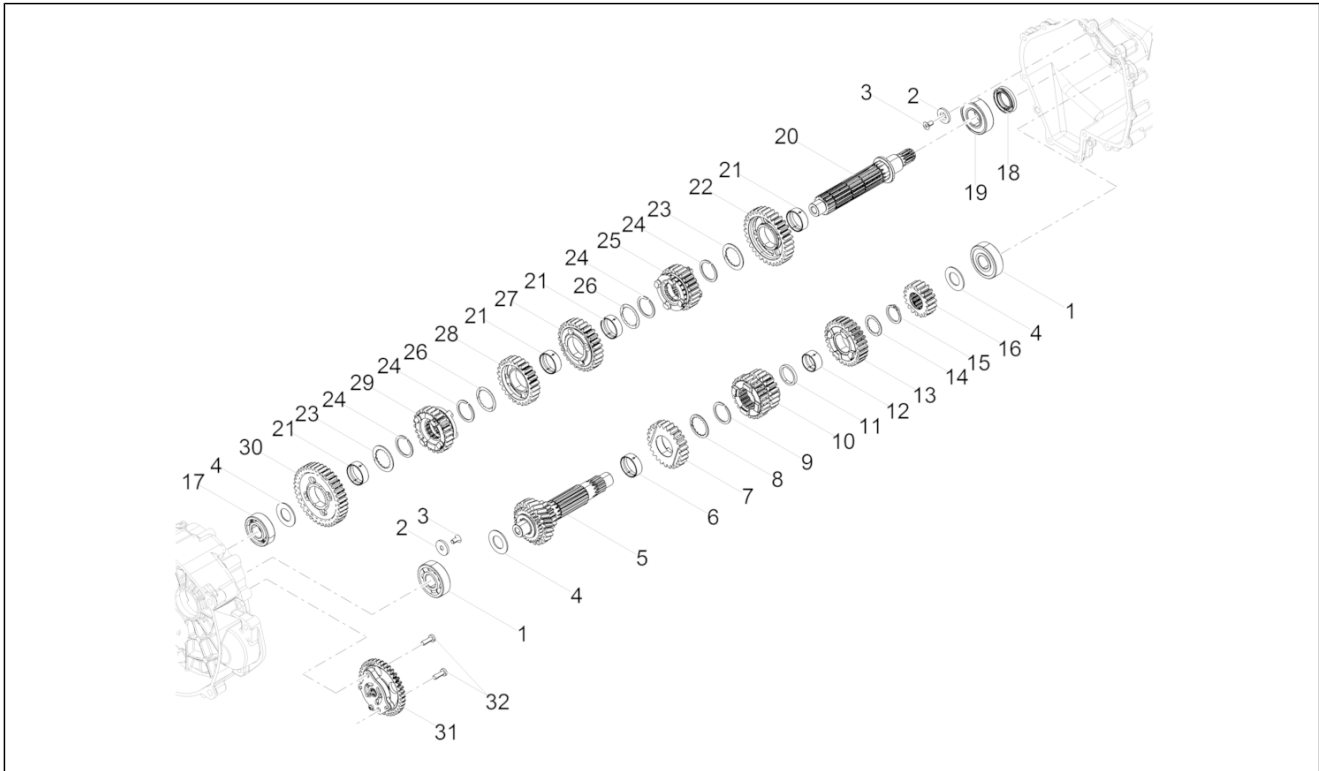
Pos.	Code	Description	Qty	Variants
29	857250	Ball bearing 25x42x9	1	
30	GU05235531	Tickness	1	
31	2A000938	Pin	6	
32	GU90271022	Circlip	1	
33	834764	Bearing	1	
34	GU90706203	O-ring 20,24X2,62	1	
35	GU12022600	Oil plug	1	
36	GU19002020	Bushing 6,6x9x13	2	
37	2A000591	Special hex socket screw M6x55	14	
38	2A001047	Shift cam cpl.	1	
39	B063025	Gasket 8.7x14.2x1.3	1	
40	1A011654	Sensor	1	
41	2A000097	Ball bearing 6202-2RSH/C3 LHT23	2	
42	GU93180220	Cover	1	
43	2A000823	Breather plug	1	
44	GU01528930	Gasket 10x18x1,5	1	
45	658837	Crinkle washer D15 F8,4 S1,5 - INOX	6	
46	GU98680440	Hex socket screw M8x40	6	
47	2A001050	Flat washer	1	
48	2B001138	Fairlead	1	
49	AP8152277	Flanged hexagon screw M6x12	1	
50	GU95008206	Washer 6,15x11x0,8	1	
51	2B001770	Fairlead	1	

Group	Engine
Code	03.180
Description	Gear box - Gear assembly
Service	1



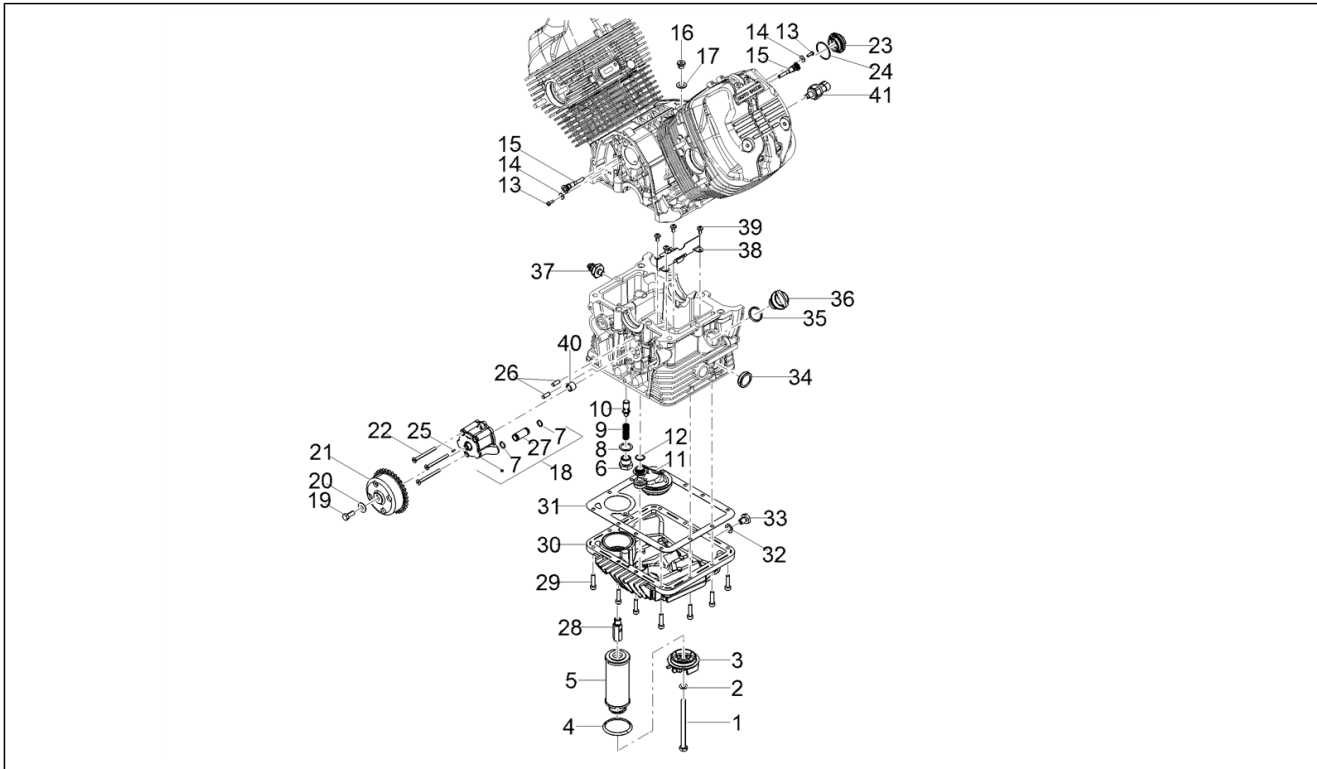
Pos.	Code	Description	Qty	Variants
1	GU92201822	Ball bearing 20x52x15	2	
2	873928	Washer	2	
3	B013608	Screw	2	
4	1A000566	Thrust washer	1	
5	2A000625	Primary gear shaft	1	
6	849308	Moveable bush	1	
7	1A000360	Fifth speed gear	1	
8	849424	Clearance washer	1	
9	1A002604	Shaft snap ring	1	
10	1A000436	Sliding pinion 3a - 4a vel.	1	
11	B015040	Thrust washer	1	
12	974162	Moveable bush	1	
13	2A000627	Gear 6a	1	
14	849396	Clearance washer	1	
15	974165	Snap ring	1	
16	1A000365	2nd pinion gear	1	
17	848650	Ball bearing 20x47x14	1	
18	873931	Gasket ring 40x25x7	1	
19	GU92201226	Ball bearing 25x52x15	1	
20	2A000998	Secondary gearbox shaft	1	
21	849308	Moveable bush	4	
22	2A000948	2nd speed gear on transmission shaft	1	
23	849309	Clearance washer	2	
24	1A002604	Shaft snap ring	4	
25	2A000947	Gear 6a	1	
26	849310	Clearance washer	2	
27	1A000367	Third speed gear Z=28	1	
28	1A000368	Fourth speed gear Z=26	1	

Group	Engine
Code	03.180
Description	Gear box - Gear assembly
Service	1



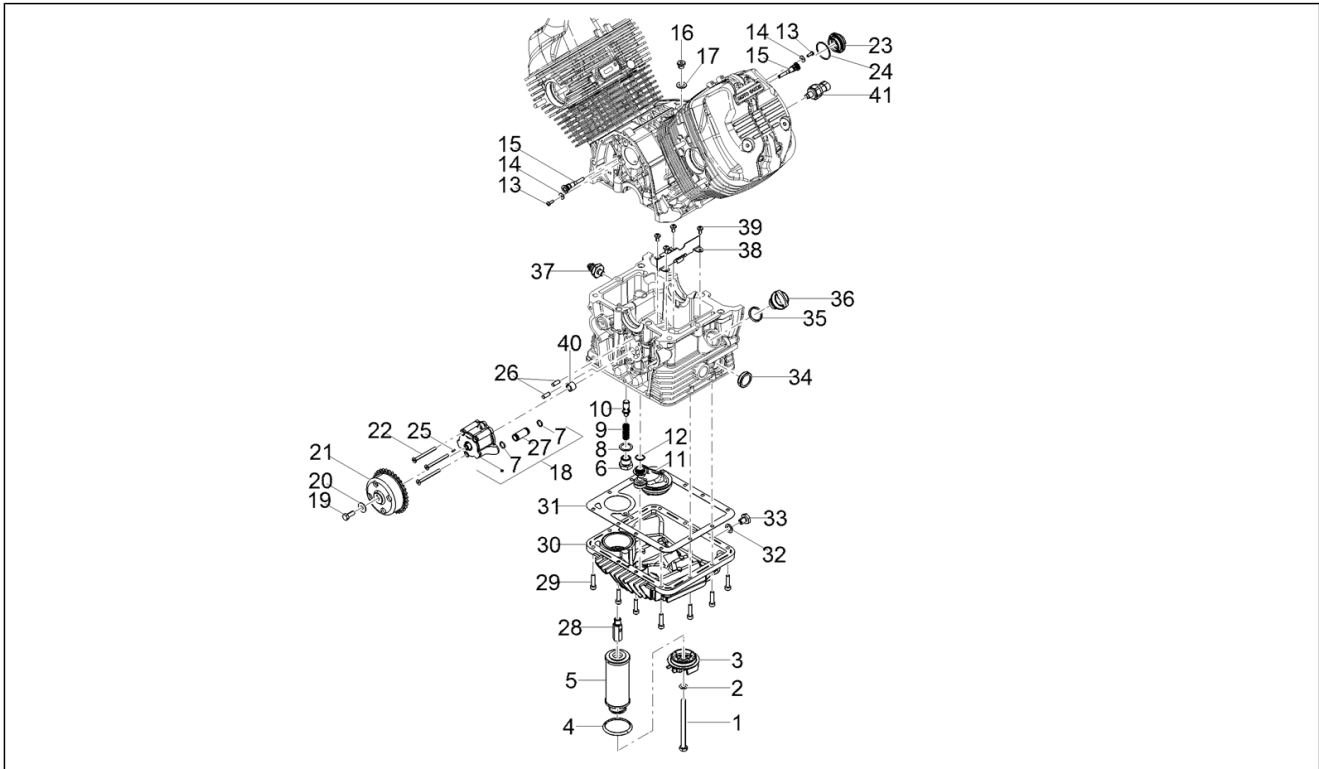
Pos.	Code	Description	Qty	Variants
29	2A000989	Fifth speed gear	1	
30	2A000988	First speed gear	1	
31	B018448	Oil pump assy.	1	
32	2A000241	Screw M5x16	2	

Group	Engine
Code	03.190
Description	Lubrication
Service	1



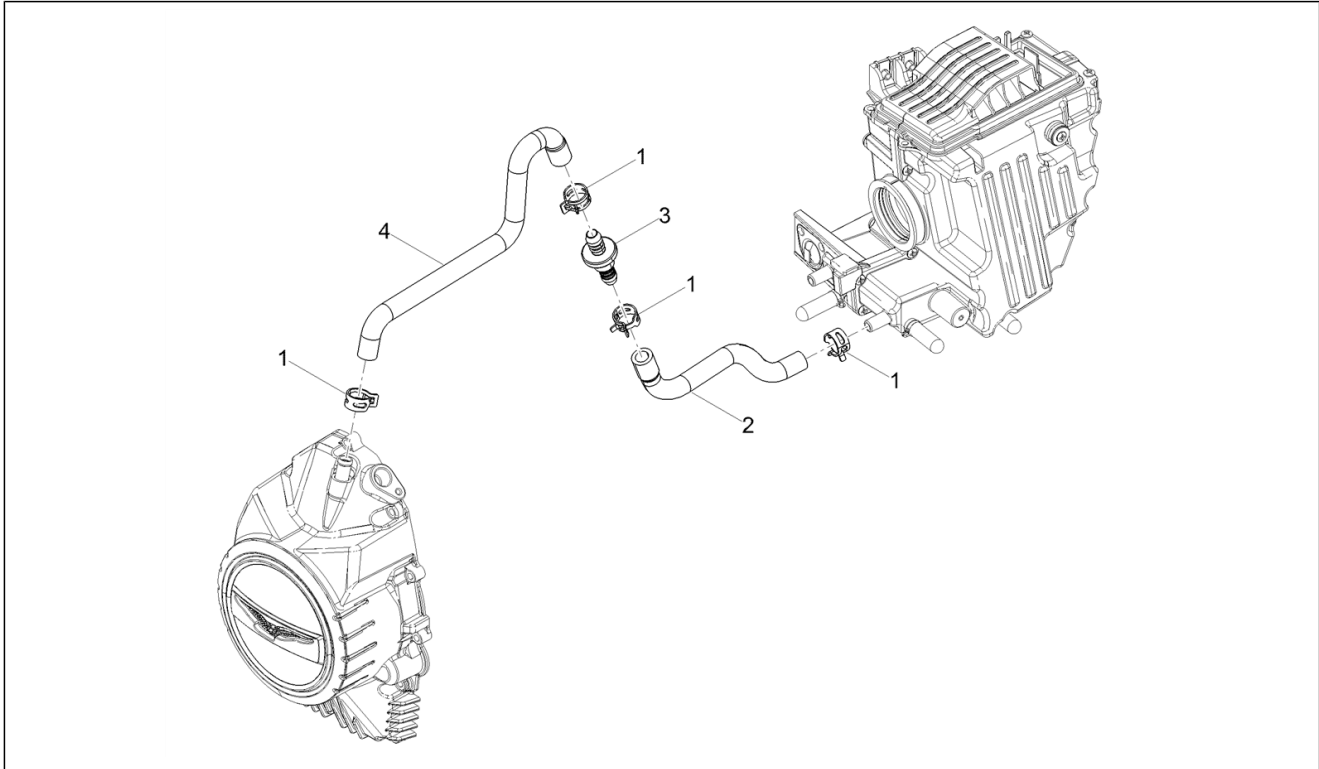
Pos.	Code	Description	Qty	Variants
1	GU27152885	Bolt	1	
2	GU12154200	Gasket 8,25x15x1	1	
3	1A013815	Oil filter cover	1	
4	GU90706444	O-ring	1	
5	2A000633	Oil filter	1	
6	GU31159050	Cover	1	
7	1A008325	Seal ring (o-ring)	2	
8	GU18144350	Washer 18,25x24x1	3	
9	GU94321079	Spring	1	
10	1A014844	Oil pressure adjusting valve	1	
11	1A004549	Oil strainer	1	
12	237553	O-ring	1	
13	1A005257	Oval head screw torx	2	
14	013763	Flat washer 4,2x12x1	2	
15	1A004442	Piston cooling jet	2	
16	1A009653	Plug M10	1	
17	GU95100309	Washer	1	
18	1A015236	Oil pump assembly	1	
19	1A014410	M7x18 pre-coated hex head screw	1	
20	1A014411	Belleville spring	1	
21	1A015233	Oil pump gear	1	
22	1A008533	Countersunk-head screw M5x55	3	
23	B015598	Oil filter plug	1	
24	1A016739	Gasket 31,47x1,78	1	
25	GU92296723	Roller	1	
26	GU19018920	Pin	2	
27	1A008291	Hose union	1	
28	GU19003800	Joint	1	

Group	Engine
Code	03.190
Description	Lubrication
Service	1



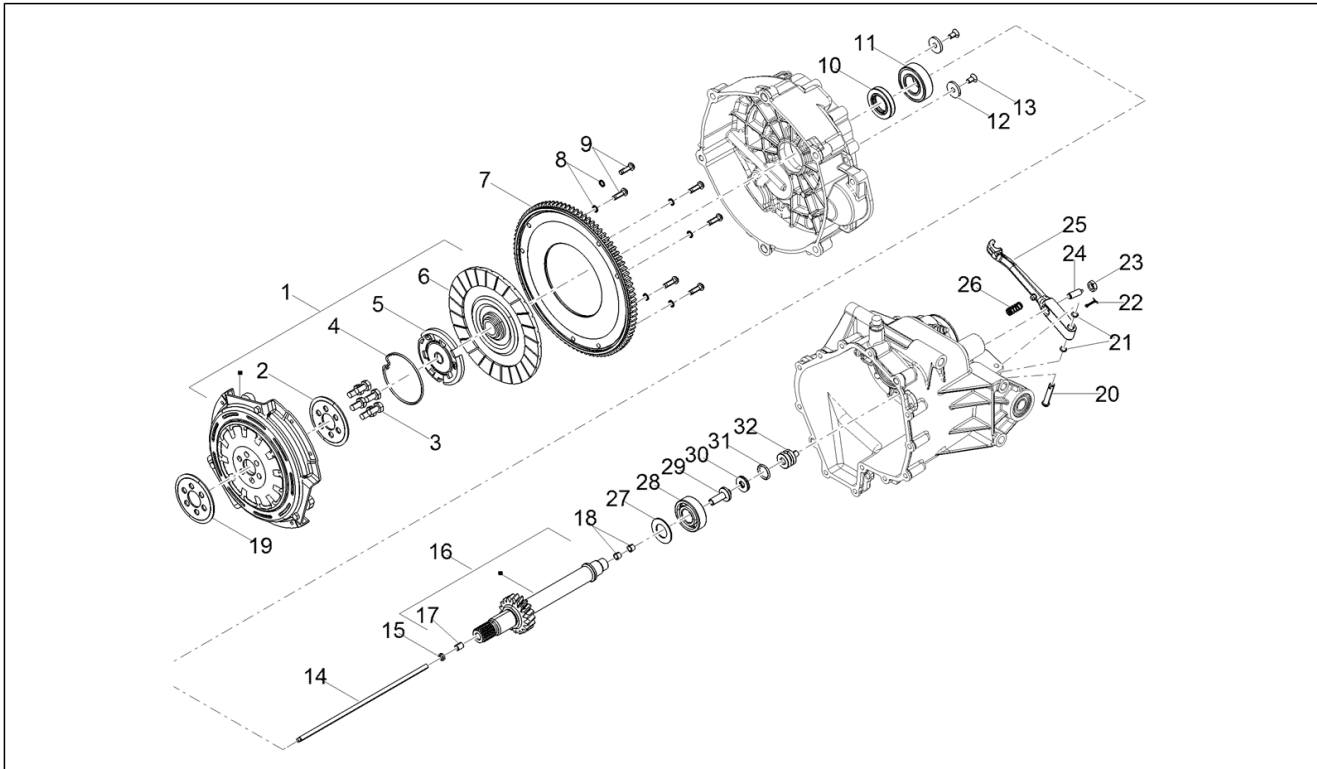
Pos.	Code	Description	Qty	Variants
29	GU98682325	Hex socket screw M6x25	12	
30	1A017127	Pan oil	1	
31	1A014777	Sump gasket	1	
32	GU10528900	Gasket	1	
33	GU31003766	Oil unload plug M10x1	1	
34	485693	Oil level indicator	1	
35	1A014908	Seal ring (o-ring)	1	
36	1A015819	Oil load plug	1	
37	1A017929	Minimum oil pressure sensor	1	
38	1A008566	Panel	1	
39	1A003111	TCIC Screw M5x10	4	
40	976168	Drawn cap 10x14x12	1	
41	1A016442	Oil temperature sensor	1	

Group	Engine
Code	03.196
Description	Blow-by system
Service	1



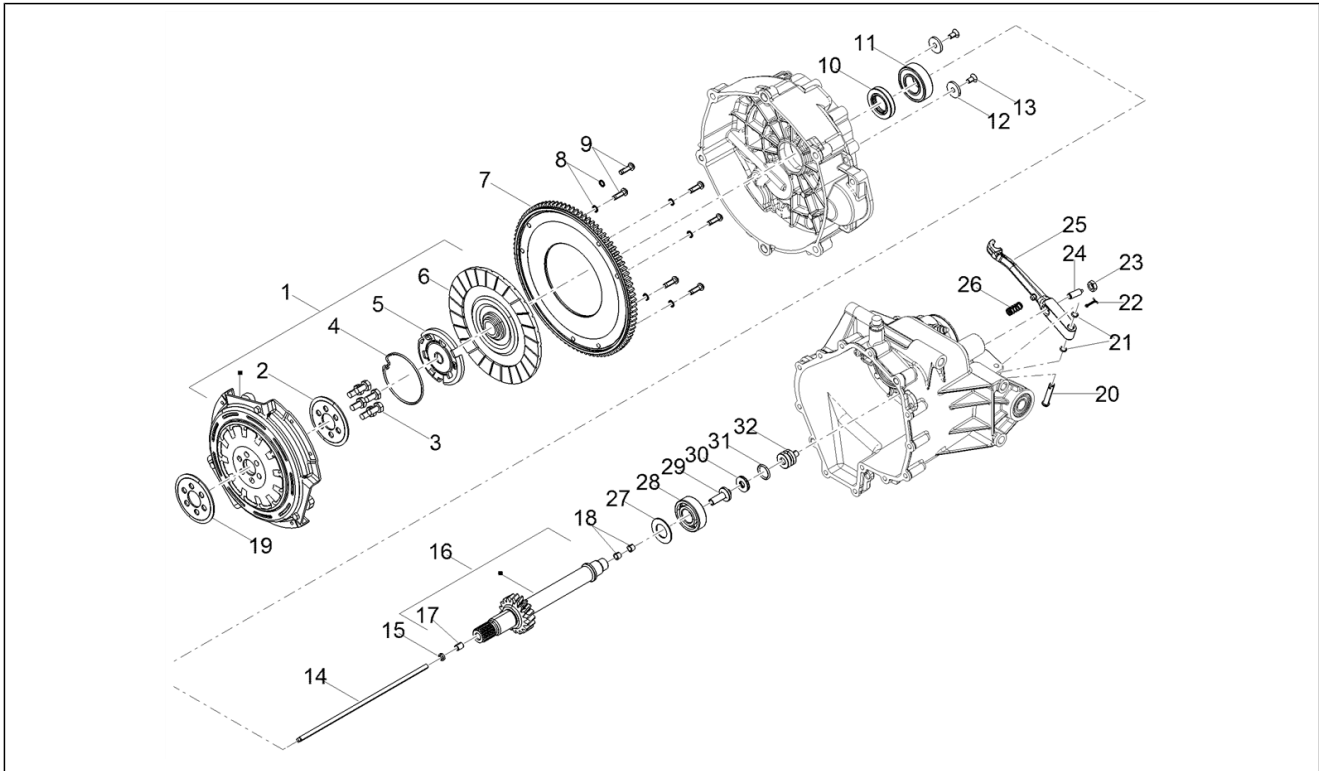
Pos.	Code	Description	Qty	Variants
1	CM226902	Spring clamp 19/12	4	
2	2B003204	Blow-by pipe	1	
3	2B003105	Anti-return valve	1	
4	2B002602	Blow-by pipe	1	

Group	Engine
Code	03.230
Description	Clutch
Service	1



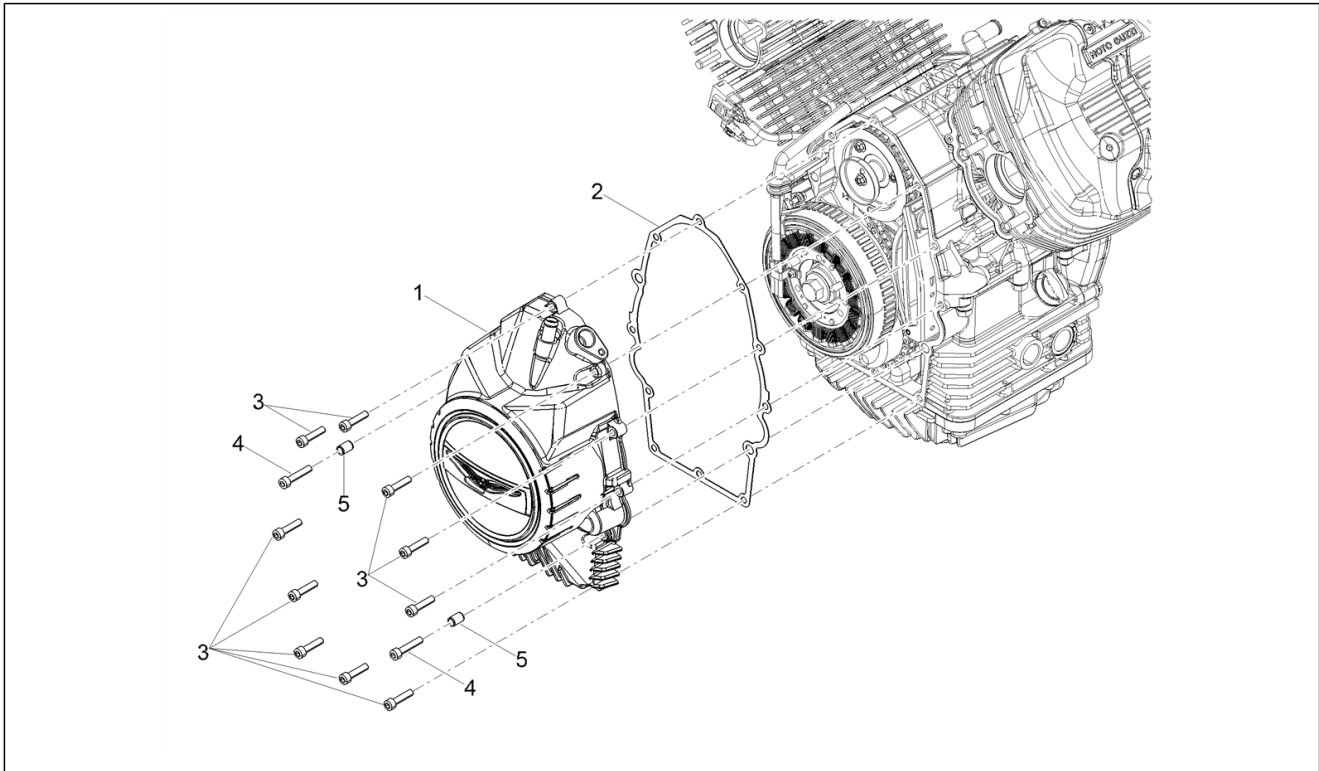
Pos.	Code	Description	Qty	Variants
1	2A000968	Single-plate clutch	1	
2	2A000741	Support	1	
3	GU19067700	screw	6	
4	2A000418	Ring	1	
5	2A000638	Spring cap	1	
6	2A000969	Driven clutch disc	1	
7	2A000529	Starter ring gear	1	
8	GU14217901	Washer 6,4x10x0,7	6	
9	2A000774	Oval head torx screw M6X20	6	
10	2A001004	Gasket ring	1	
11	GU92201226	Ball bearing 25x52x15	1	
12	873928	Washer	3	
13	B013608	Screw	3	
14	2A000216	Drive rod	1	
15	2A000378	Gasket ring	1	
16	2A001062	Clutch shaft, Z=18	1	
17	GU05217630	Bushing	1	
18	GU14085900	Bush	2	
19	1A009630	Clutch plate	1	
20	2A000384	Lever pin	1	
21	974165	Snap ring	1	
21	2A000385	O-ring 6.5x1.5	2	
22	GU95500222	Split pin	1	
23	GU92606508	Nut	1	
24	2A000838	Adjuster screw	1	
25	2A000631	Clutch release shaft	1	
26	GU94321105	Lever return spring	1	
27	1A000566	Thrust washer	1	

Group	Engine
Code	03.230
Description	Clutch
Service	1



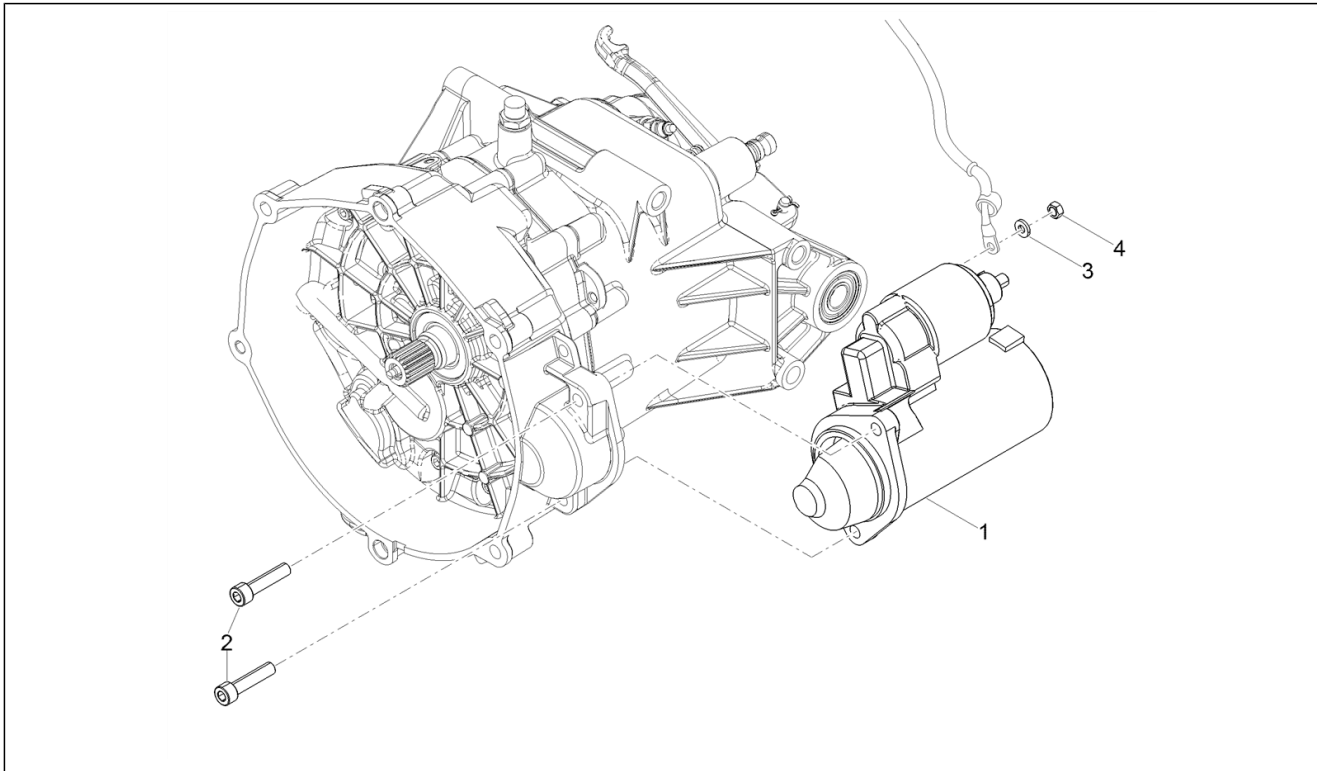
Pos.	Code	Description	Qty	Variants
28	2A001035R	Ball bearing 20x47x14	1	
29	B013037	Clutch gear	1	
30	2A000376	Thrust bearing	1	
31	GU90706170	O-ring 17,13x2,62	1	
32	GU14086100	Outer body	1	

Group	Engine
Code	03.270
Description	Flywheel cover
Service	1



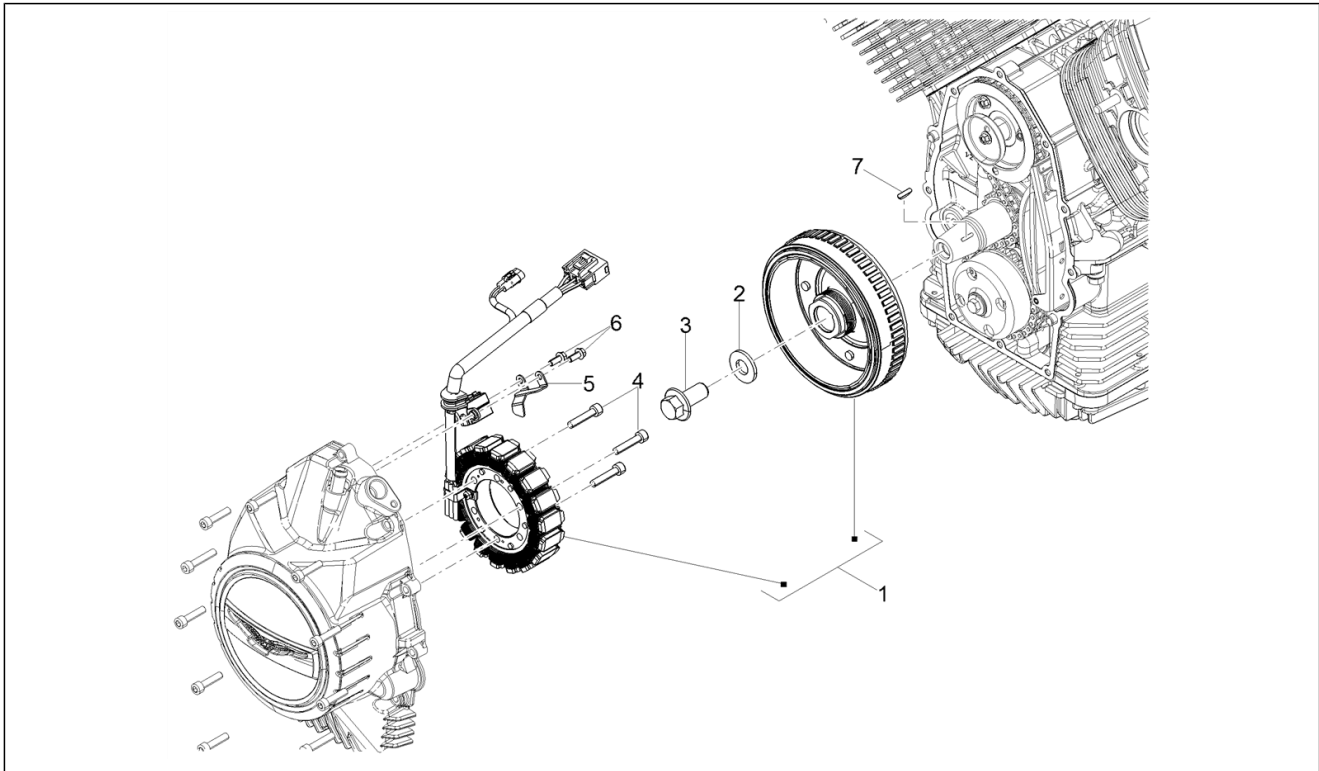
Pos.	Code	Description	Qty	Variants
1	1A016407	Cover	1	
2	887003	Cover gasket	1	
3	GU98682325	Hex socket screw M6x25	10	
4	GU98682330	Hex socket screw M6x20	2	
5	GU19002020	Bushing 6,6x9x13	2	

Group	Engine
Code	03.290
Description	Starter / Electric starter
Service	1



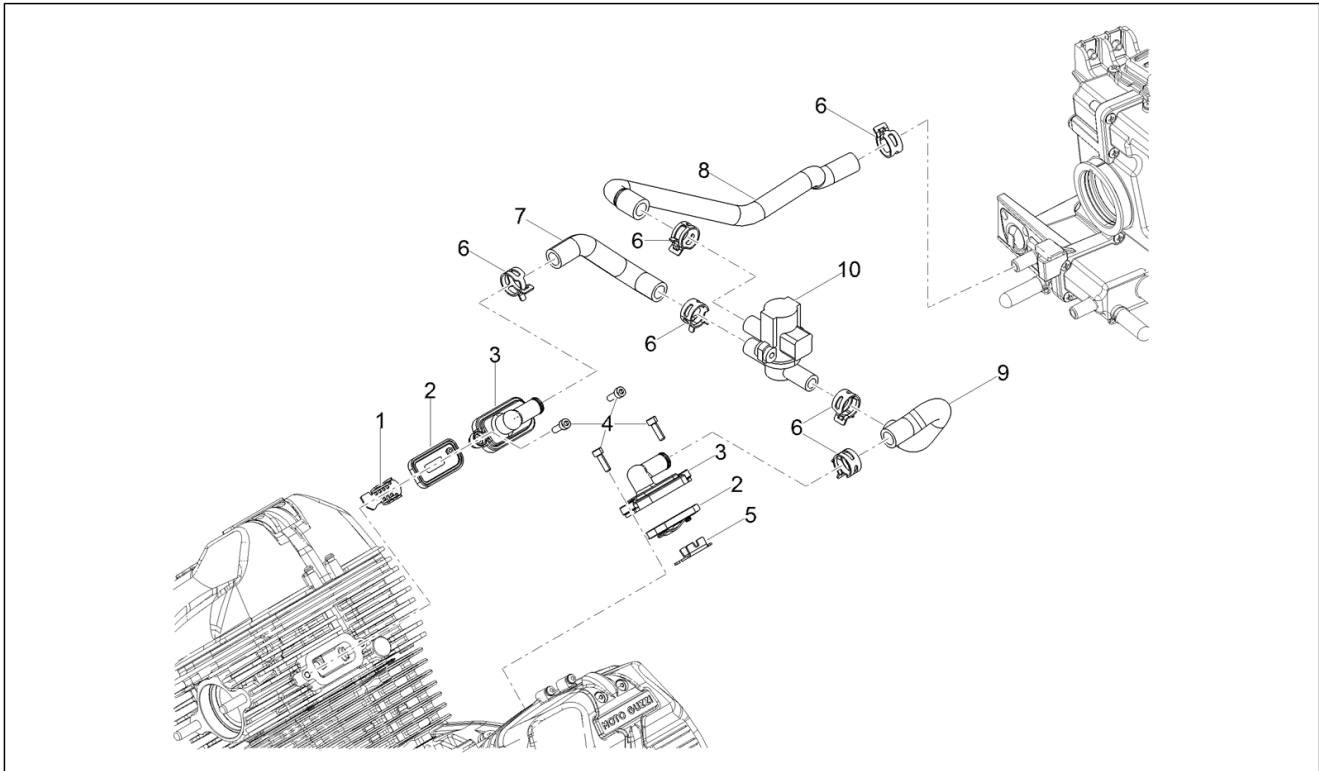
Pos.	Code	Description	Qty	Variants
1	97729R	Starter motor	1	
2	GU98682435	Hex socket screw	2	
3	GU95129131	Washer 8,4x15x1,7	1	
4	GU92609408	Nut M8x1,25	1	

Group	Engine
Code	03.300
Description	Cdi magneto assy / Ignition unit
Service	1



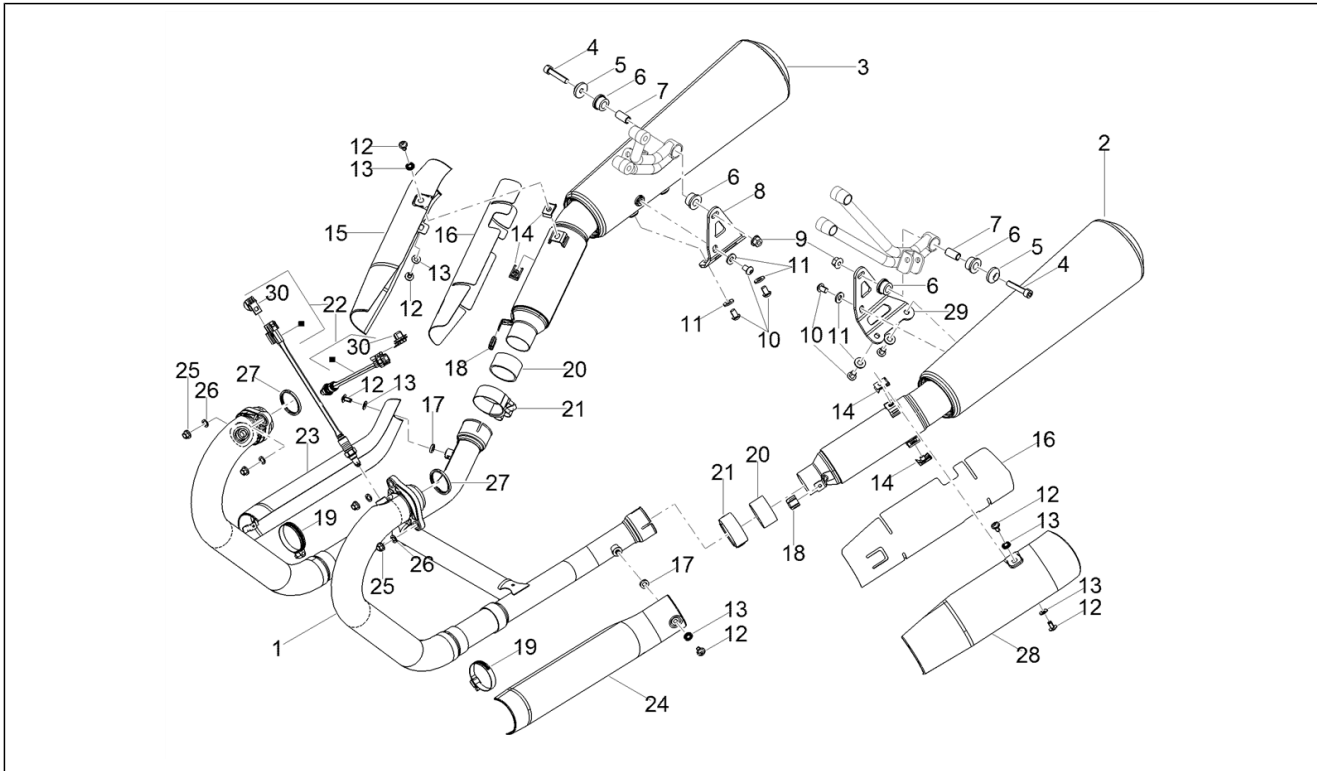
Pos.	Code	Description	Qty	Variants
1	1A016500	Complete magneto flywheel	1	
2	825725	Flat washer 14.1x30x3	1	
3	B015563	Screw w/ flange M14x30	1	
4	GU98682330	Hex socket screw M6x20	3	
5	1A014626	Plate	1	
6	1A015041	Screw m5x12 torx	2	
7	000267	Transmission key	1	

Group	Engine
Code	03.320
Description	Secondary air
Service	1



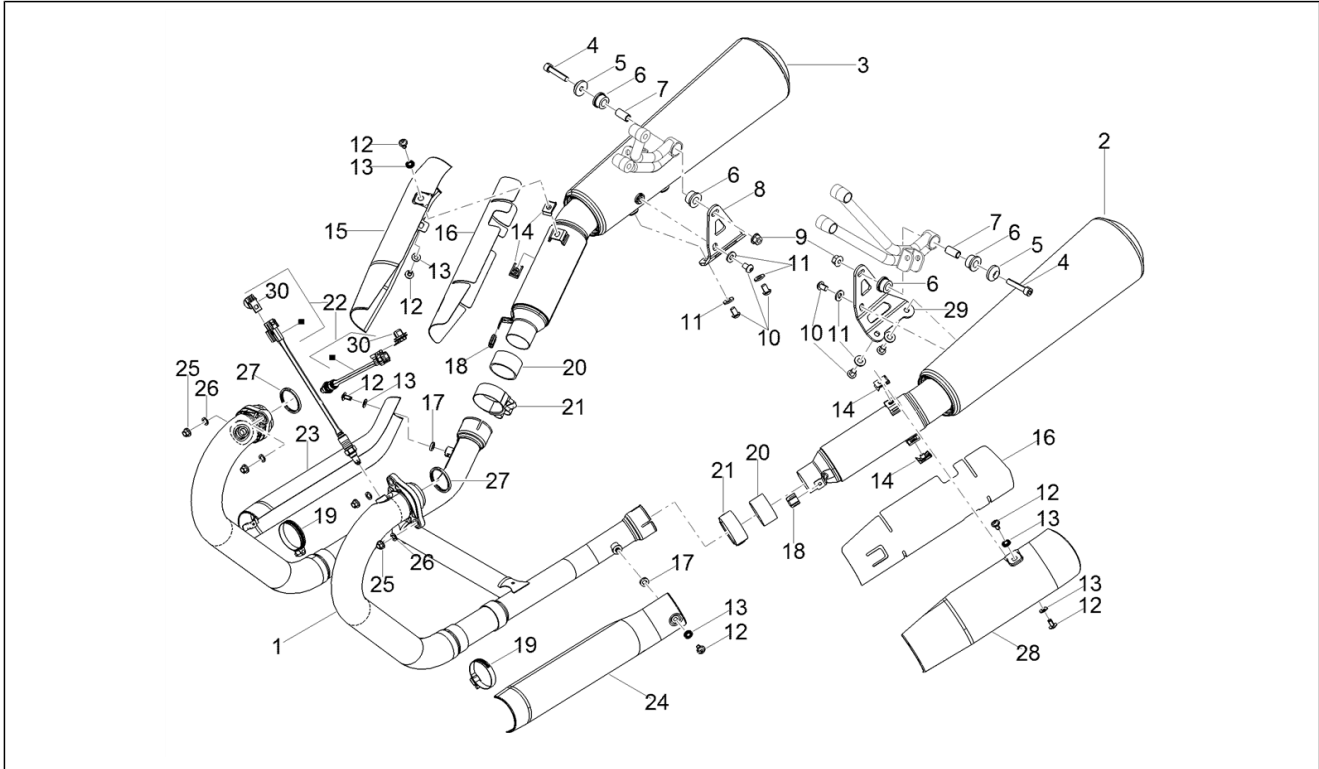
Pos.	Code	Description	Qty	Variants
1	857047	Spark arrester	1	
2	857045	Reed valve	2	
3	1A017801	Cover	2	
4	GU98612216	Hex socket screw	4	
5	857046	Spark arrester	1	
6	CM226902	Spring clamp 19/12	6	
7	2B002529	RH pipe "S.A.S."	1	
8	2B002531	Filter box pipe "S.A.S."	1	
9	2B002530	LH pipe "S.A.S."	1	
10	857181	SAS valve	1	

Group	Engine
Code	03.330
Description	Exhaust pipe
Service	1



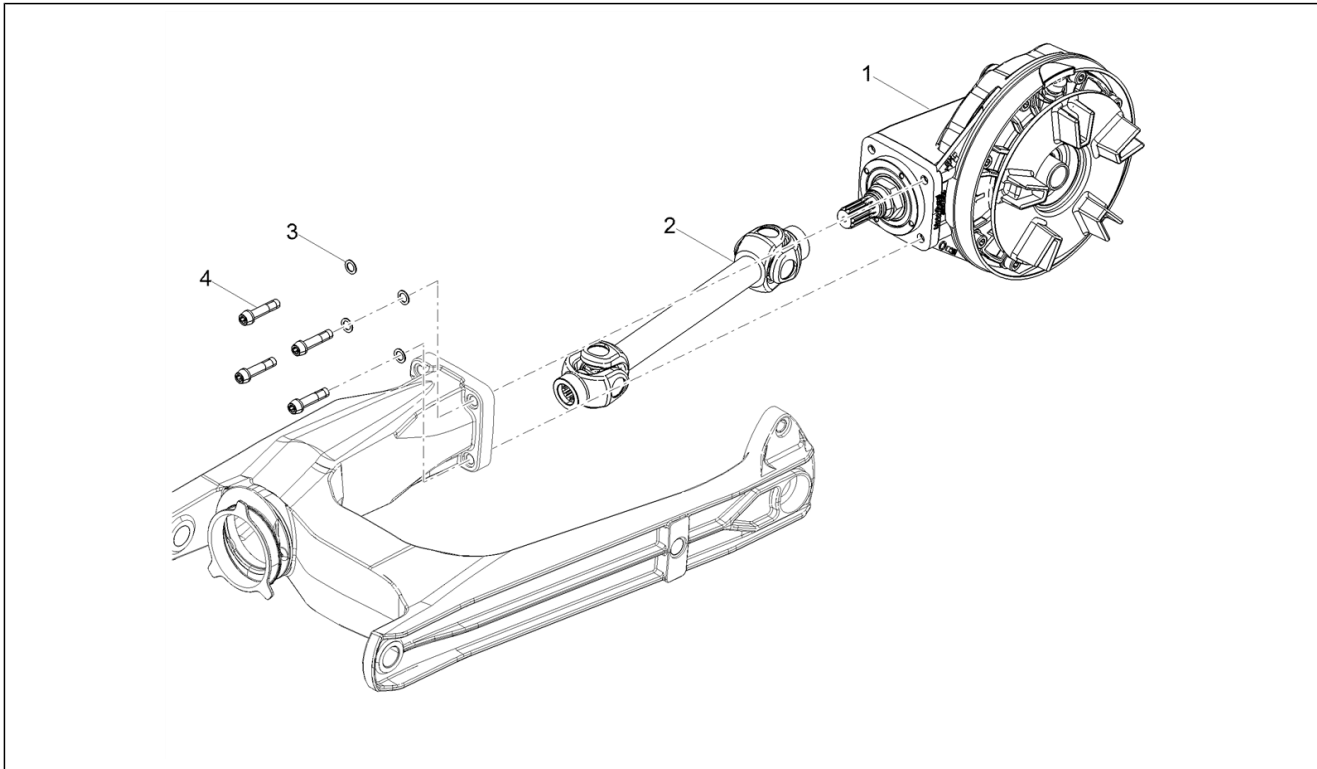
Pos.	Code	Description	Qty	Variants
1	2B007288	Exhaust manifold	1	
2	2B007316	LH silencer	1	
3	2B007315	RH silencer	1	
4	GU98690440	screw M8x40	2	
5	AP8134378	Bush Fixing	2	
6	AP8144071	Rubber exhaust	4	
7	AP8121072	Spacer	2	
8	2B006817	Right silencer support bracket	1	
9	967363	Nut M8x1,25	2	
10	AP8152055	Hex socket screw M8x12	6	
11	GU95008308	Washer	6	
12	884043	Screw w/ flange M6x12	6	
13	834951	Conical washer	6	
14	254485	Spring plate M6	4	
15	2B007474	Silencer protection right	1	
16	2B008066	Thermal cover	2	
17	876879	Spacer	2	
18	2B007247	Rubber spacer	2	
19	1A000833	Hose clamp	2	
20	2B007137	Gasket WIREMESH	2	
21	2B007833	Hose clamp	2	
22	1A014335	Lamda sensor	2	
23	2B007472	RH manifold shield	1	
24	2B007471	LH manifold shield	1	
25	GU92660021	Flanged nut M8	4	
26	GU14615901	Washer 8,4X13X0,8	4	
27	852090	Exhaust pipe gasket	2	
28	2B007473	Silencer protection left	1	

Group	Engine
Code	03.330
Description	Exhaust pipe
Service	1



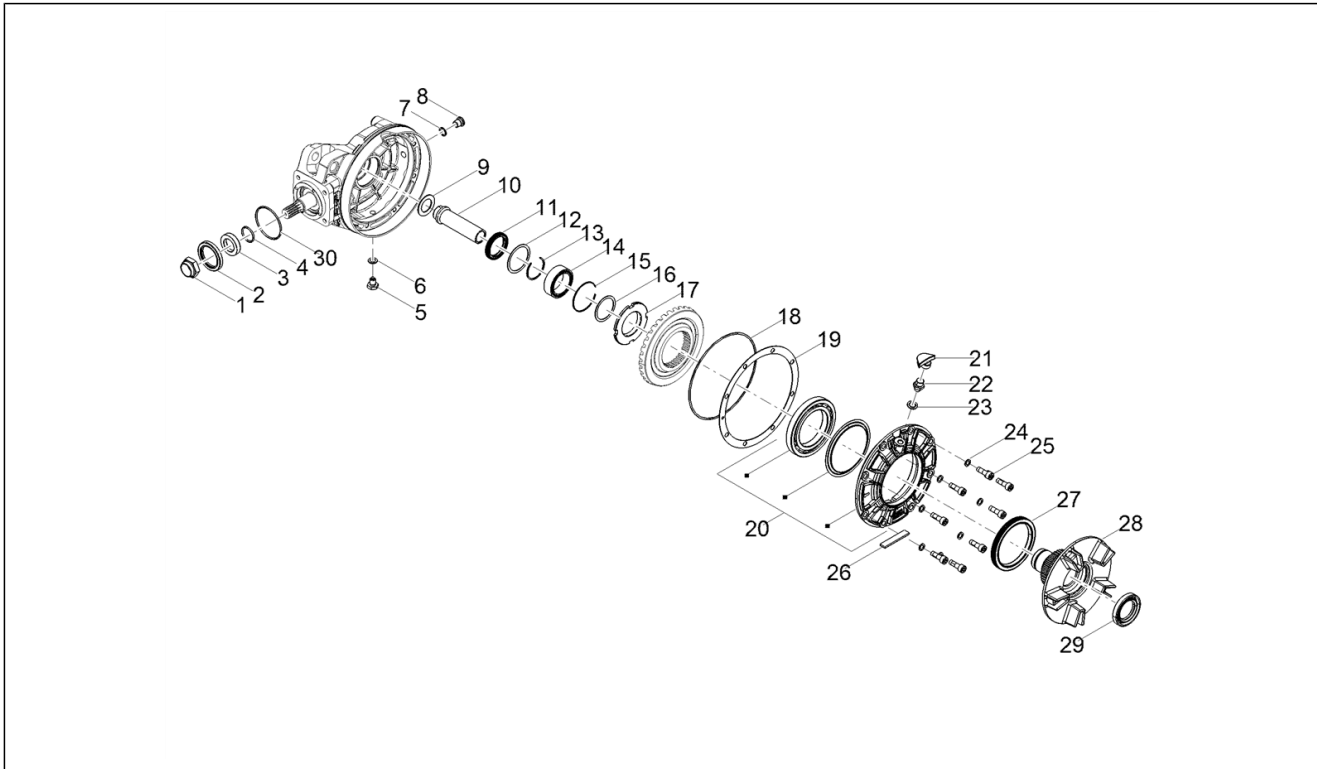
Pos.	Code	Description	Qty	Variants
29	2B006816	Left silencer support bracket	1	
30	1A015201	Clip	2	

Group	Engine
Code	03.340
Description	Transmission complete
Service	1



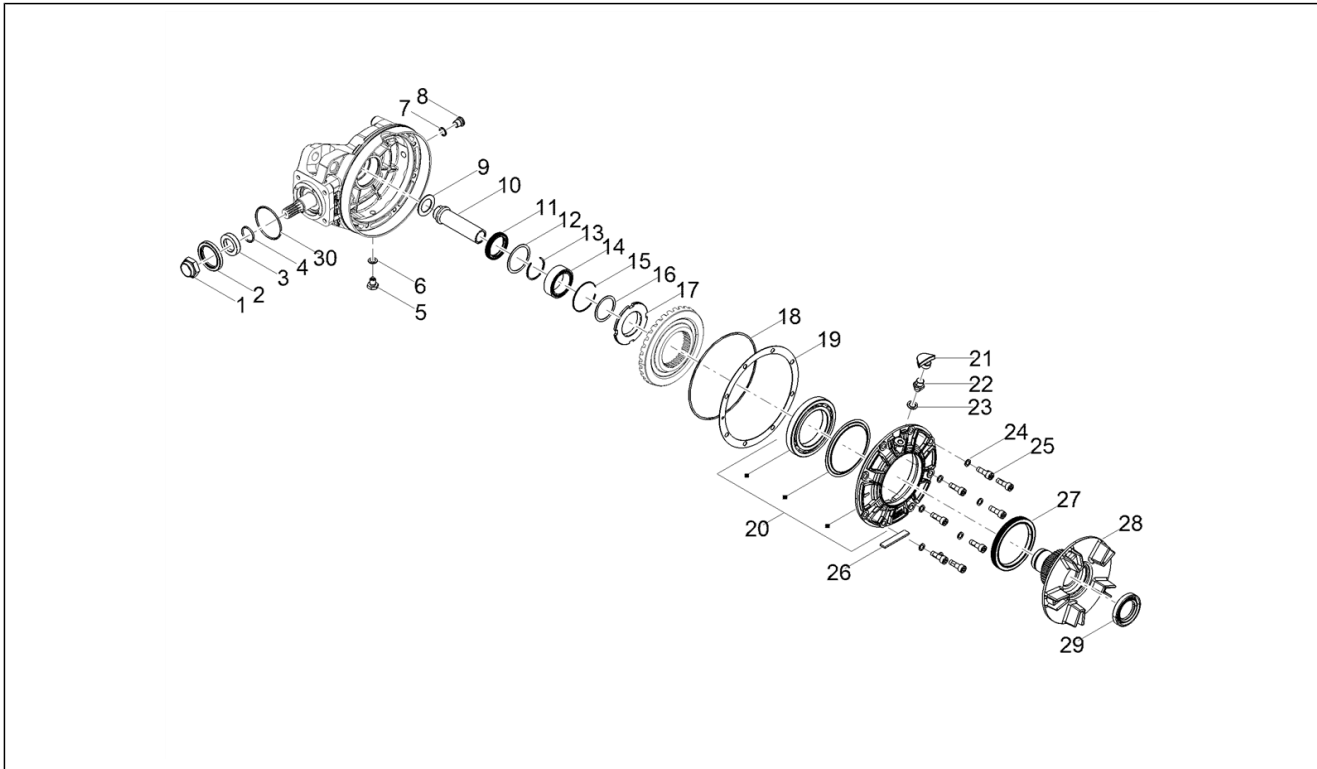
Pos.	Code	Description	Qty	Variants
1	2B008292	Transmission complete	1	
2	2B001636	Propeller shaft & universal joint	1	
3	GU14615901	Washer 8,4X13X0,8	4	
4	2B002699	Torx M8x35 cap screw with pre-coated collar	4	

Group	Engine
Code	03.350
Description	Rear transmission / Components
Service	1



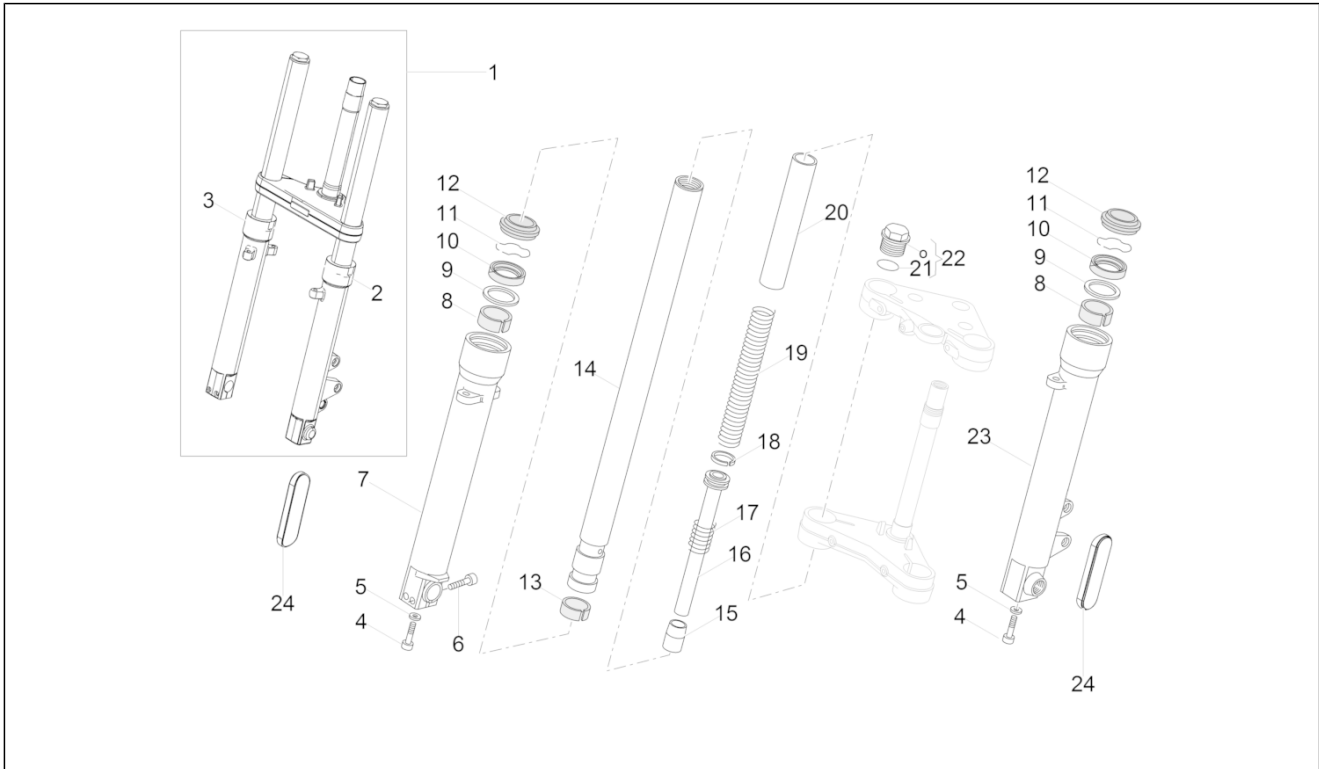
Pos.	Code	Description	Qty	Variants
1	2B005012	Nut	1	
2	2B000404	Gasket ring	1	
3	2B001311	Spacer	1	
4	GU90706188	Gasket ring 18,77X1,78	1	
5	GU31003766	Oil unload plug M10x1	1	
6	GU01528930	Gasket 10x18x1,5	1	
7	224566	Washer	1	
8	GU05351230	Oil plug M12x1,5	1	
9	GU37359005	Washer	1	
10	2B007257	Wheel spacer	1	
11	GU90413850	Gasket ring 38X50X7	1	
12	GU12351100	Gasket ring	1	
13	2B002200	Washer for shafts	1	
14	2B006088R	Roller bearing 40x55x17	1	
15	B064304	Circlip	1	
16	GU19351100	Clearance washer	1	
17	2B002536	Crown fixing ring nut	1	
18	GU90706958	O-ring 158,42X2,62	1	
19	GU04355100	Tickness 0,6 mm	1	
19	GU04355101	Tickness 0,7 mm	1	
19	GU04355104	Tickness 1 mm	1	
19	GU04355105	Tickness 1,1 mm	1	
19	GU04355106	Tickness 1,2 mm	1	
19	GU04355103	Tickness 0,9 mm	1	
19	GU04355102	Tickness 0,8 mm	1	
20	2B006110	Flange	1	
21	2B002807	Cap	1	
22	2A000823	Breather plug	1	

Group	Engine
Code	03.350
Description	Rear transmission / Components
Service	1



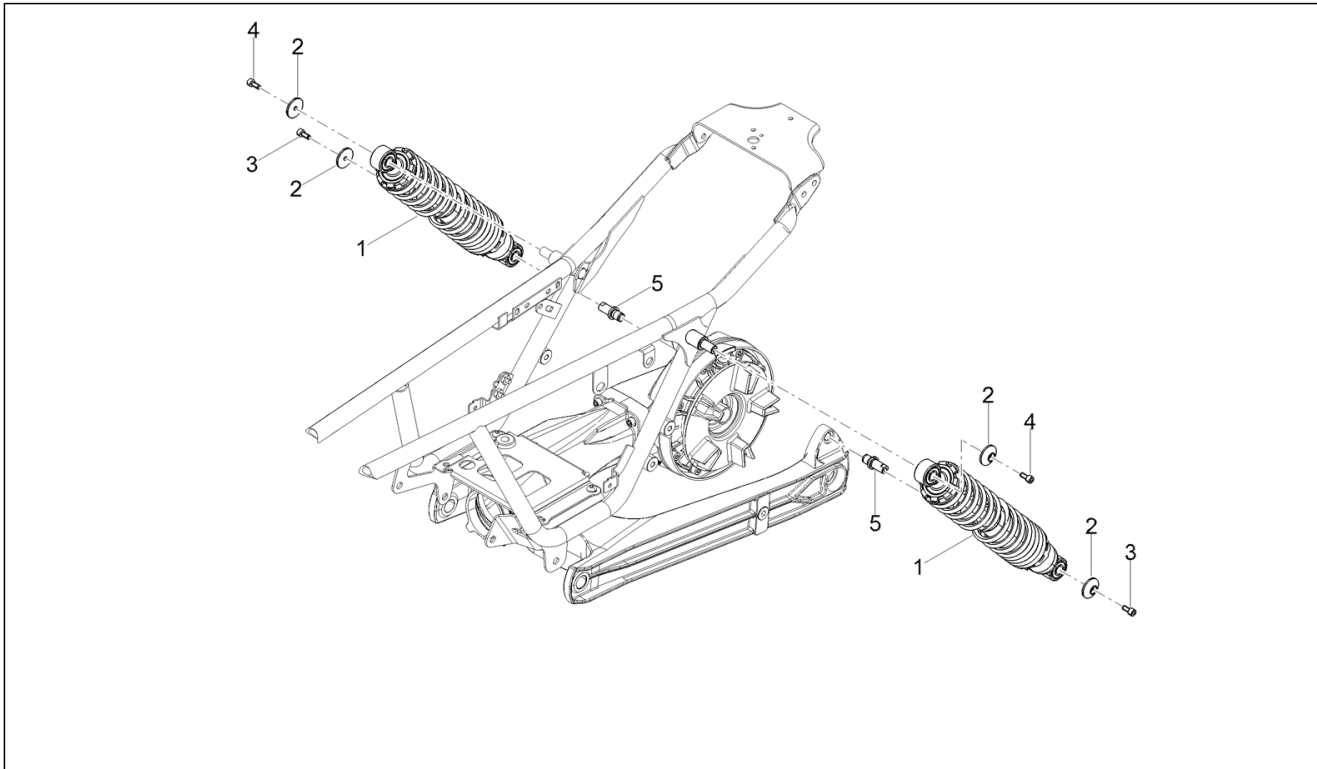
Pos.	Code	Description	Qty	Variants
23	GU01528930	Gasket 10x18x1,5	1	
24	GU14615901	Washer 8,4X13X0,8	8	
25	2B002171	Special cap screw 8x25	8	
26	2B006064	Felt	1	
27	2B002535	Gasket ring 80x100x10	1	
28	2B006860R	Flexible couplings hub	1	
29	2B007243	Gasket ring 26x42x7	1	
30	GU90706584	Gasket 58,42x2,62	1	

Group	Suspensions
Code	04.060
Description	Front fork Kaifa
Service	1



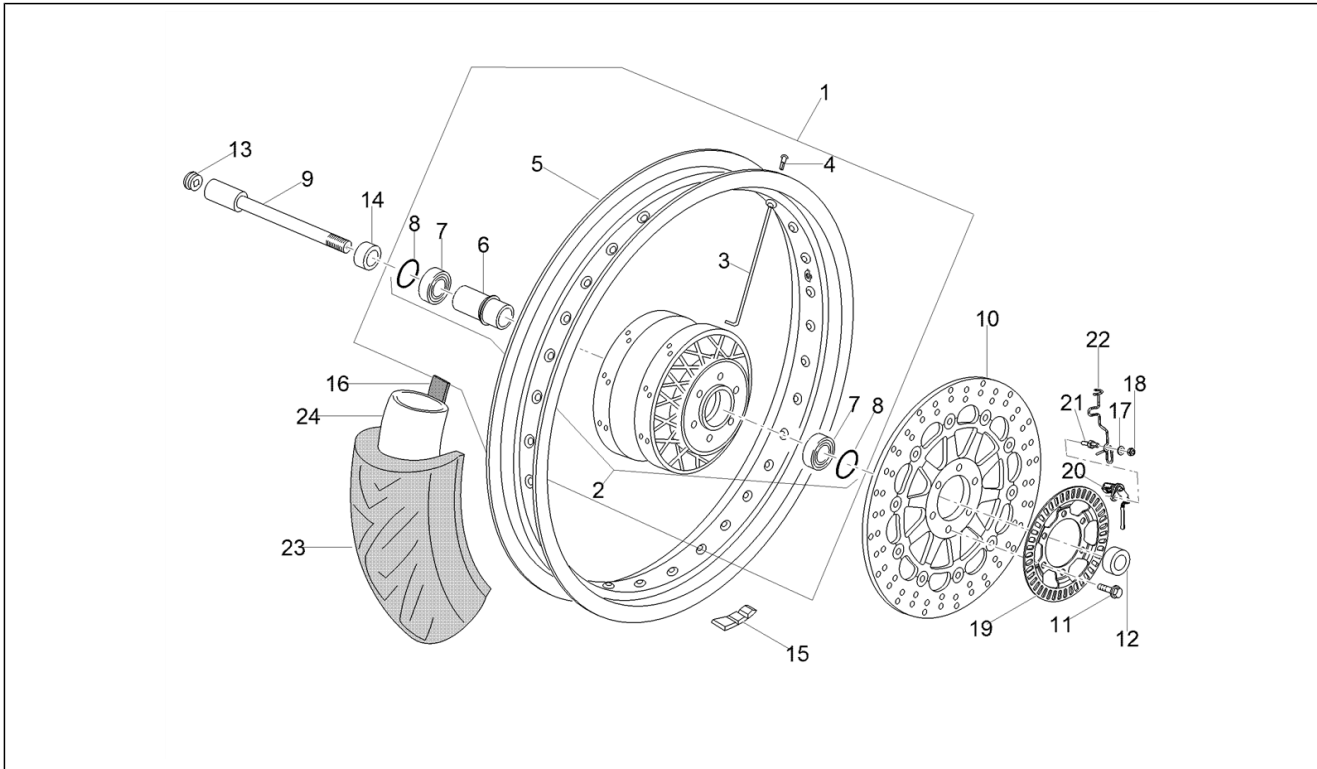
Pos.	Code	Description	Qty	Variants
1	2B003424	Front fork	1	
2	2B003952	LH sleeve and rod	1	
3	2B003948	RH sleeve and rod	1	
4	887878	screw M10x30	2	
5	887879	Washer	2	
6	887880	screw	2	
7	2R000109	RH sleeve	1	
8	887882	Upper bush	2	
9	887883	Washer	2	
10	887884	Gasket ring	2	
11	887885	Stop ring	2	
12	887886	Dust cover	2	
13	887888	Bush	2	
14	2B001591	Sleeve	2	
15	887889	Pad	2	
16	887891	Plunger, complete	2	
17	887890	Return spring	2	
18	887905	Ring	2	
19	2R000243	Spring	2	
20	887893	pipe	2	
21	887916	O-ring 4118	2	
22	887894	Plug cpl.	2	
23	2R000110	LH sleeve	1	
24	GU05781630	Reflector, amber	2	

Group	Suspensions
Code	04.080
Description	Shock absorber
Service	1



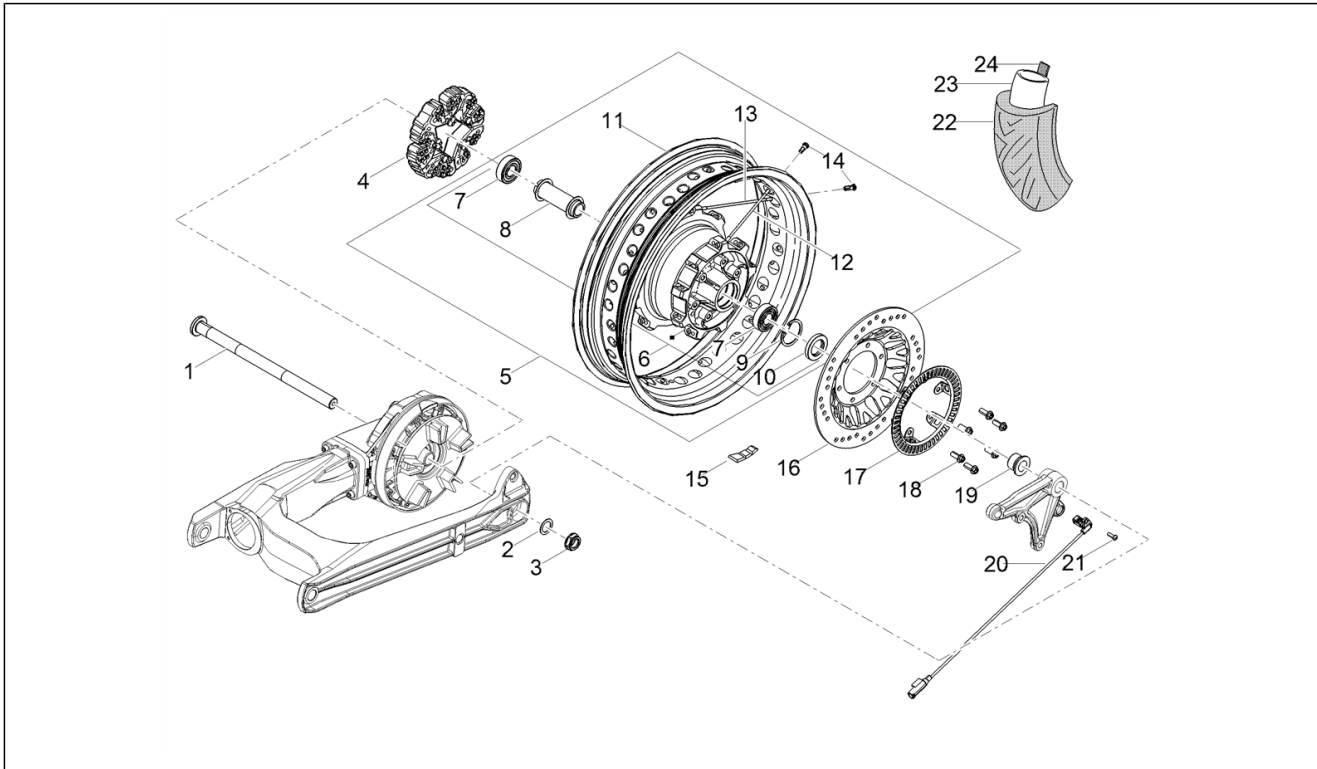
Pos.	Code	Description	Qty	Variants
1	2B006809	Rear shock absorber	2	
2	B063174	Bush	4	
3	884031	Precoated SHC screw M6x14	2	
4	2B002195	Pre-coated IX M6X35 SHC screw	2	
5	2B003111	Shock absorber pin	2	

Group	Wheels
Code	05.010
Description	Front wheel
Service	1



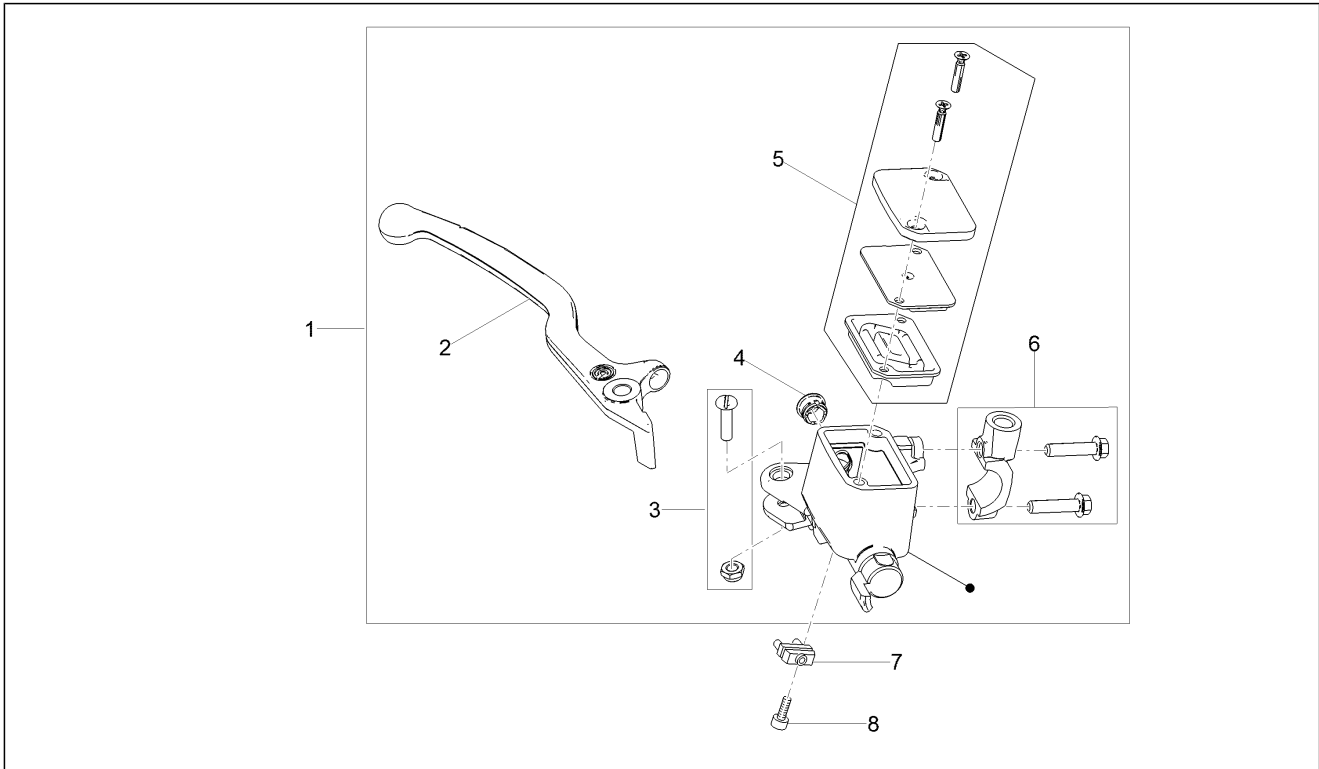
Pos.	Code	Description	Qty	Variants
1	2B0037065	Front wheel(complete)	1	
2	2B003701	Wheel hub	1	
3	B063144	Front wheel spoke	36	
4	GU03631250	Nipples	36	
5	887858	Front wheel 2,5x18"	1	
6	2B007313	Spacer	1	
7	GU92204221	Bearing	2	
8	GU90402642	Gasket ring 26x42x7	1	
9	GU31614183	Front wheel spindle	1	
10	883688	Front brake disc 320	1	
11	2B002416	Screw w/ flange M8x20	6	
12	GU31616384	LH spacer	1	
13	GU93180111	Cover 15 mm	1	
14	GU32615660	RH spacer	1	
15	GU14616150	Counterweight	1	
16	GU03612040	Tyre flap	1	
17	AP8150178	Washer 6,4x12,5*	1	
18	GU92630207	Nut	1	
19	2B004778	ABS phonic wheel	1	
20	859792	ABS sensor	1	
21	2B001708	Spacer	1	
22	2B001561	Fairlead	1	
23	2B006508	Front tyre 100/90-18 M/C 56V Dunlop	1	
24	GU31610160	Inner tube MB 18	1	

Group	Wheels
Code	05.020
Description	Rear wheel
Service	1



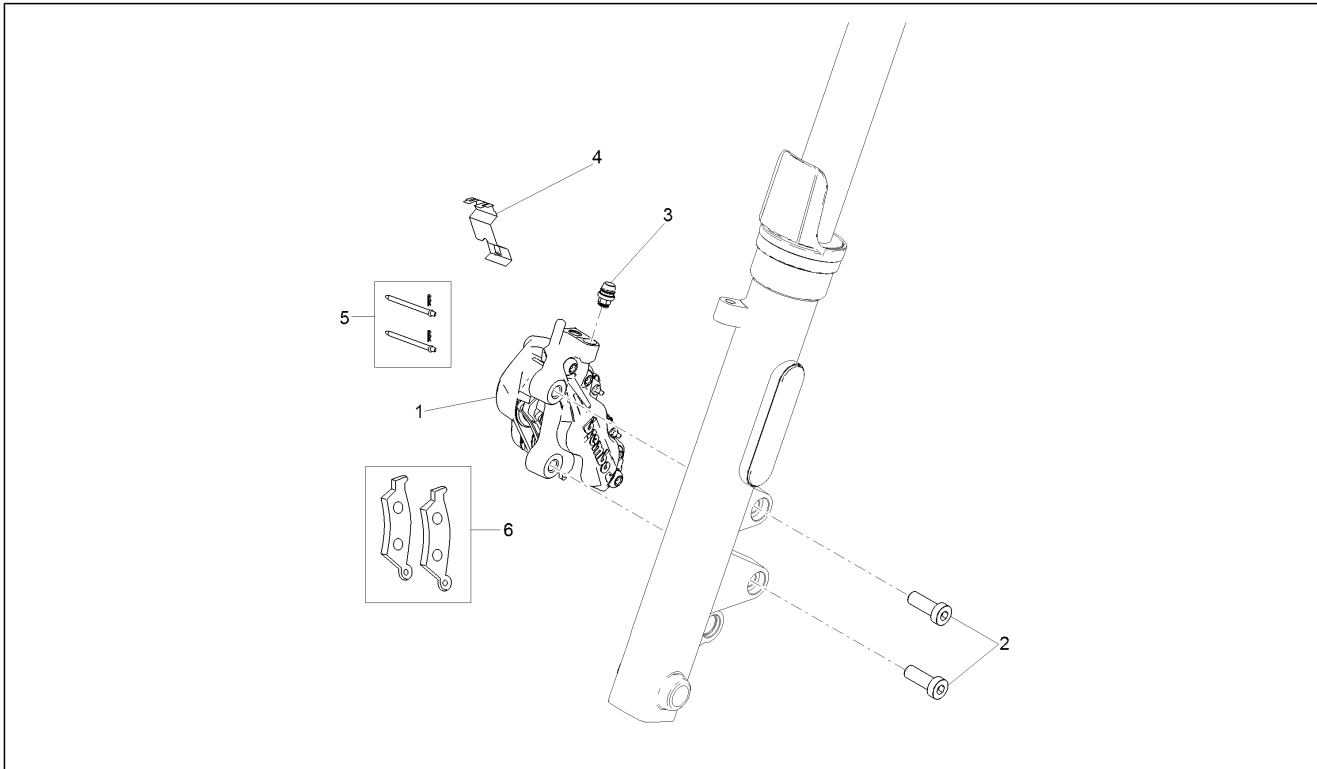
Pos.	Code	Description	Qty	Variants
1	2B001310	Rear wheel spindle	1	
2	AP8125687	Wheel pin washer	1	
3	648708	Rear wheel spindle nut	1	
4	B064290	Spring drive rubber	5	
5	2B007307	Rear wheel	1	
6	2B004431	Complete rear wheel hub	1	
7	GU92204220	Ball bearing 20X47X14	2	
8	2B001279	Rear wheel spacer set	1	
9	GU90272047	Circlip 47X50,5	36	
10	AP8110109	Gasket ring 28X47X7	1	
11	2B007308	Wheel rim	1	
12	2B004436	Spoke 165 mm	18	
13	2B004435	Spoke 160 mm	18	
14	GU03631250	Nipples	36	
15	GU14616150	Counterweight	1	
16	887448	Brake disc	1	
17	2B004396R	Phonic wheel	1	
18	2B002416	Screw w/ flange M8x20	6	
19	2B001956	Rear wheel spacer	1	
20	859792	ABS sensor	1	
21	1C001499	TBEI TORX screw M5x16 INOX	1	
22	2B006740	Tyre 150/70 17	1	
23	GU30630430	Inner tube MD 17	1	
24	2B006086	Rear wheel flap	1	

Group	Brake system
Code	06.010
Description	Front master cilinder
Service	1



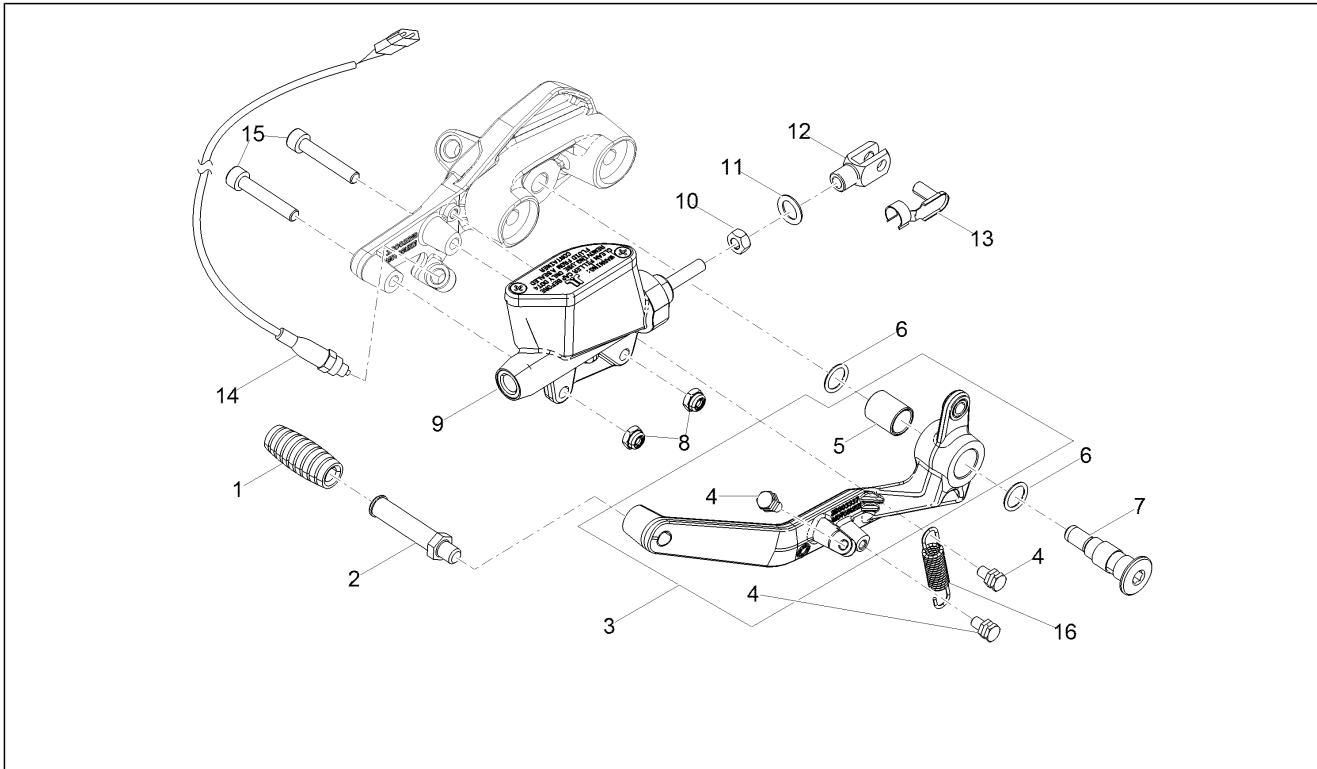
Pos.	Code	Description	Qty	Variants
1	2B003543	Front master cilinder	1	
2	GU03605645	Brake lever	1	
3	2B003040	Replacement lever pivot complete with nut	1	
4	2B001930	Replacement front brake master cylinder sight glass	1	
5	2B003039	Replacement cap complete with membrane and screws	1	
6	2B001929	Bracket	1	
7	GU03749845	Stop switch	1	
8	AP8152043	Hex socket screw M4x10	1	

Group	Brake system
Code	06.020
Description	Front brake caliper
Service	1



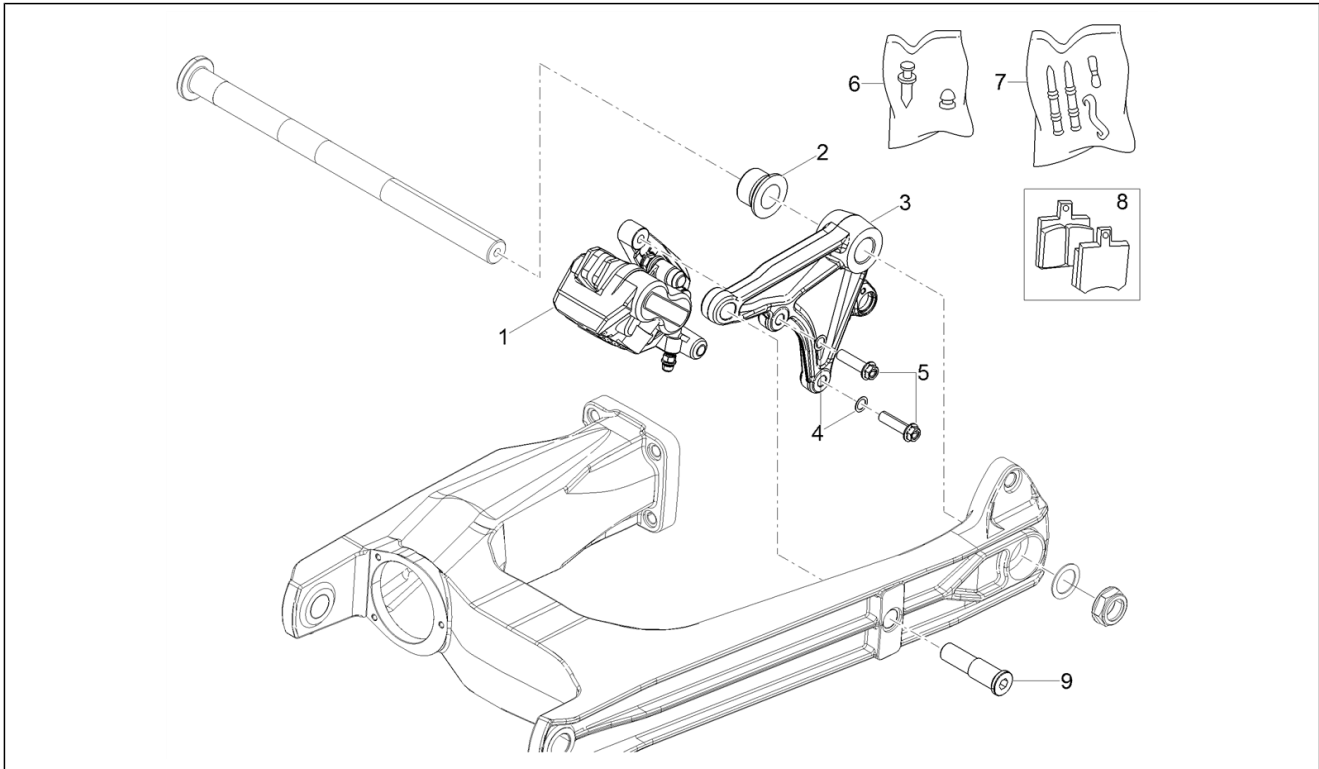
Pos.	Code	Description	Qty	Variants
1	2B001197	Front disk brake caliper l.h.	1	
2	AP8152385	Hex socket screw M10x1,25	2	
3	GU05659230	Bleeder+cap	1	
4	GU01659131	Spring	1	
5	GU01659130	Pins+Caliper springs	1	
6	883673	Pads pair	1	

Group	Brake system
Code	06.030
Description	Rear master cylinder
Service	1



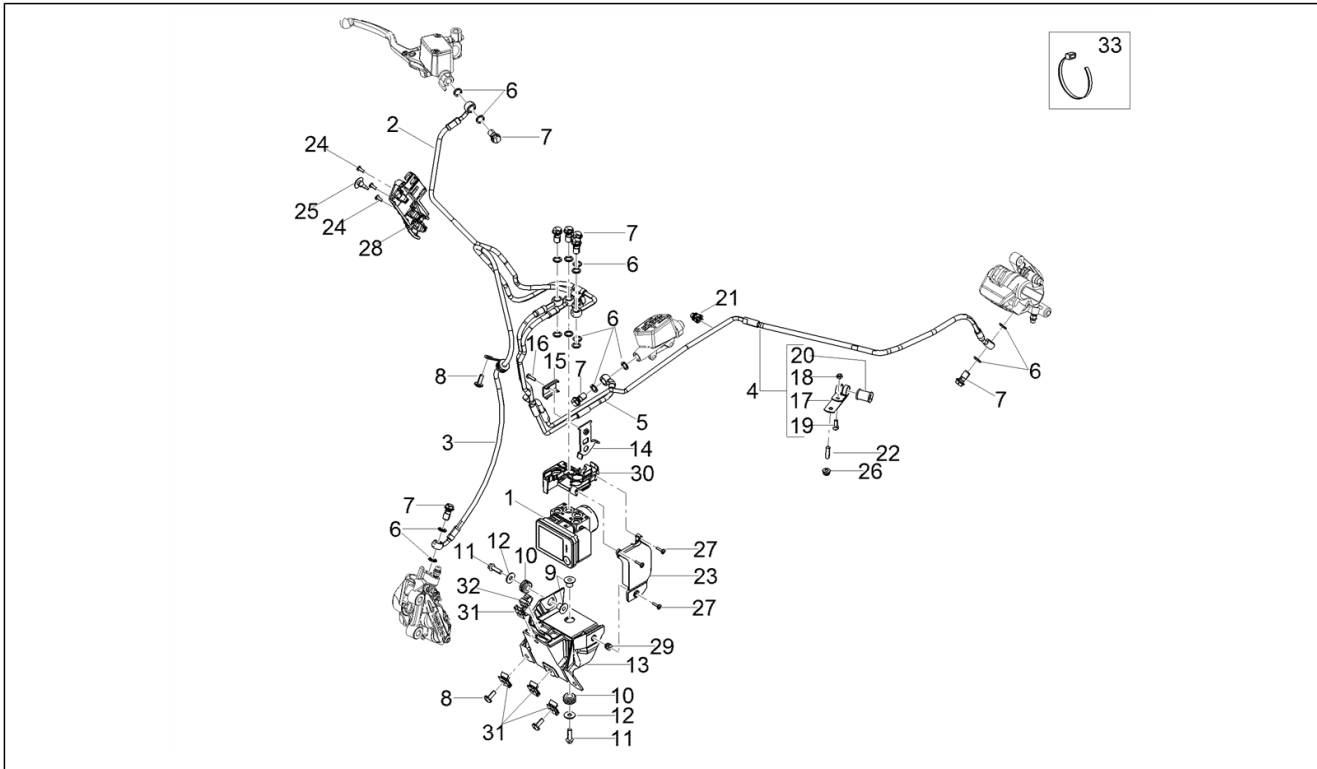
Pos.	Code	Description	Qty	Variants
1	AP8120912	Lever rubber	1	
2	2B004818	Rubber pedal	1	
3	2B003336	Rear brake control lever	1	
4	859946	Fixing pin	3	
5	895328	Sintered bushing	1	
6	AP8144007	O-ring 11,11x1,78	2	
7	884033	Lever pin	1	
8	GU92630206	Self-locking nut M6x1	2	
9	2B002189	Rear brake master cylinder with reservoir	1	
10	GU92606206	Nut	1	
11	AP8120178	O-ring OR112	1	
12	AP8113081	Fork	1	
13	AP8113082	Gear selector fork clips	1	
14	2D0002805	stop Button	1	
15	AP8150285	Hex socket screw M6x35	2	
16	AP8121927	Rear brake lever spring	1	

Group	Brake system
Code	06.040
Description	Rear brake caliper
Service	1



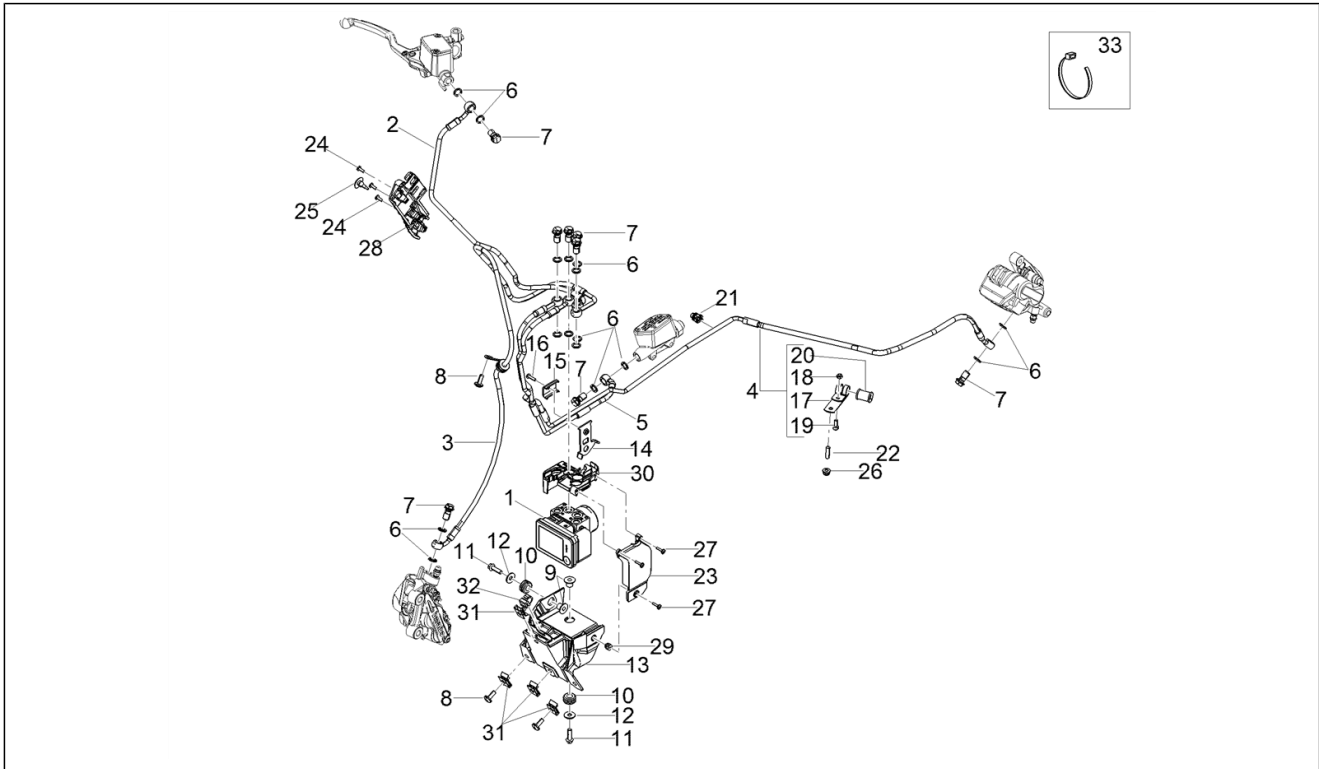
Pos.	Code	Description	Qty	Variants
1	2B000525	Rear brake caliper	1	
2	2B001956	Rear wheel spacer	1	
3	2B003357	Brake caliper support plate	1	
4	GU61270300	Spring washer 8x15x0,3	2	
5	AP8152288	Screw w/ flange M8x30	2	
6	GU31659281	Bleeder+cap	1	
7	GU31659181	Pins+spring kit	1	
8	2R000248	Brake pads couple	1	
9	GU31544181	Pin	1	

Group	Brake system
Code	06.050
Description	ABS Brake system
Service	1



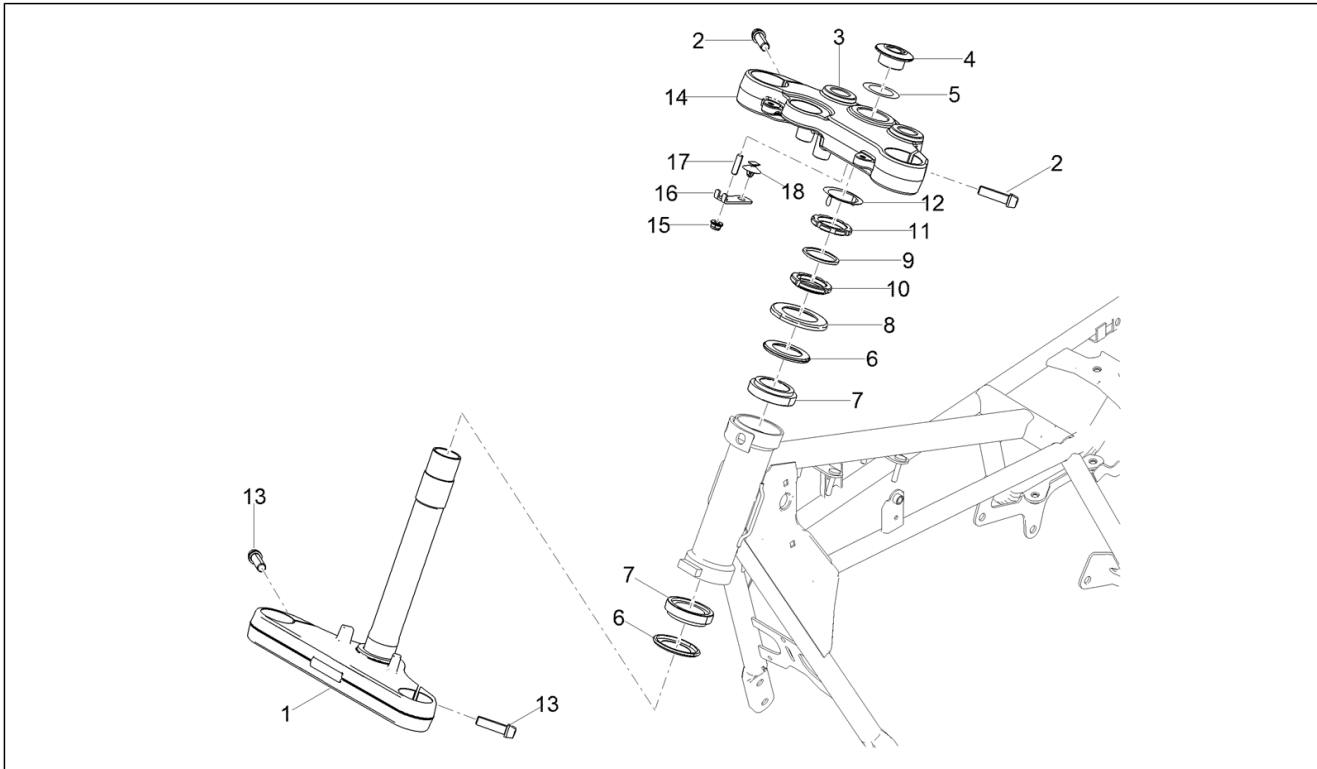
Pos.	Code	Description	Qty	Variants
1	2D000701	ABS electrohydraulic unit, prefilled	1	
2	2B006721	ABS HECU pipe - Front pump	1	
3	2B006720	ABS HECU pipe - Front clamp	1	
4	2B006723	ABS HECU pipe - Rear clamp	1	
5	2B006722	ABS HECU pipe - Rear pump	1	
6	AP8113004	Washer 10x14x1,6*	16	
7	1C001209	Special screw	8	
8	CM179301	Torx head cylinder head screw M6x16	3	
9	AP8221023	T bush	2	
10	AP8120030	Rubber spacer	2	
11	2B004560	M6x20 pre-coated hex head screw	2	
12	AP8150015	Washer 6,6x18x1,6*	2	
13	2B006724	ABS control unit support	1	
14	2B001564	Brake hose holder plate	1	
15	2B001614	Pipe fixing plate	1	
16	AP8152043	Hex socket screw M4x10	1	
17	GU03658330	Hose clamp	1	
18	895709	Hex socket screw M5x12	1	
19	AP8150451	Low self-locking nut M5	1	
20	GU03658201	Ring	1	
21	AP8121882	Cable-guide	1	
22	GU96451316	Stud bolt	1	
23	2B007092	Cover	1	
24	AP8150444	Self-tapping screw 3,9x10	3	
25	AP8120001	Rubber spacer	1	
26	AP8152299	Self-locking nut M6	1	
27	AP8150413	Self-tap screw 3,9x14	3	
28	2B006744	Conduit	1	

Group	Brake system
Code	06.050
Description	ABS Brake system
Service	1



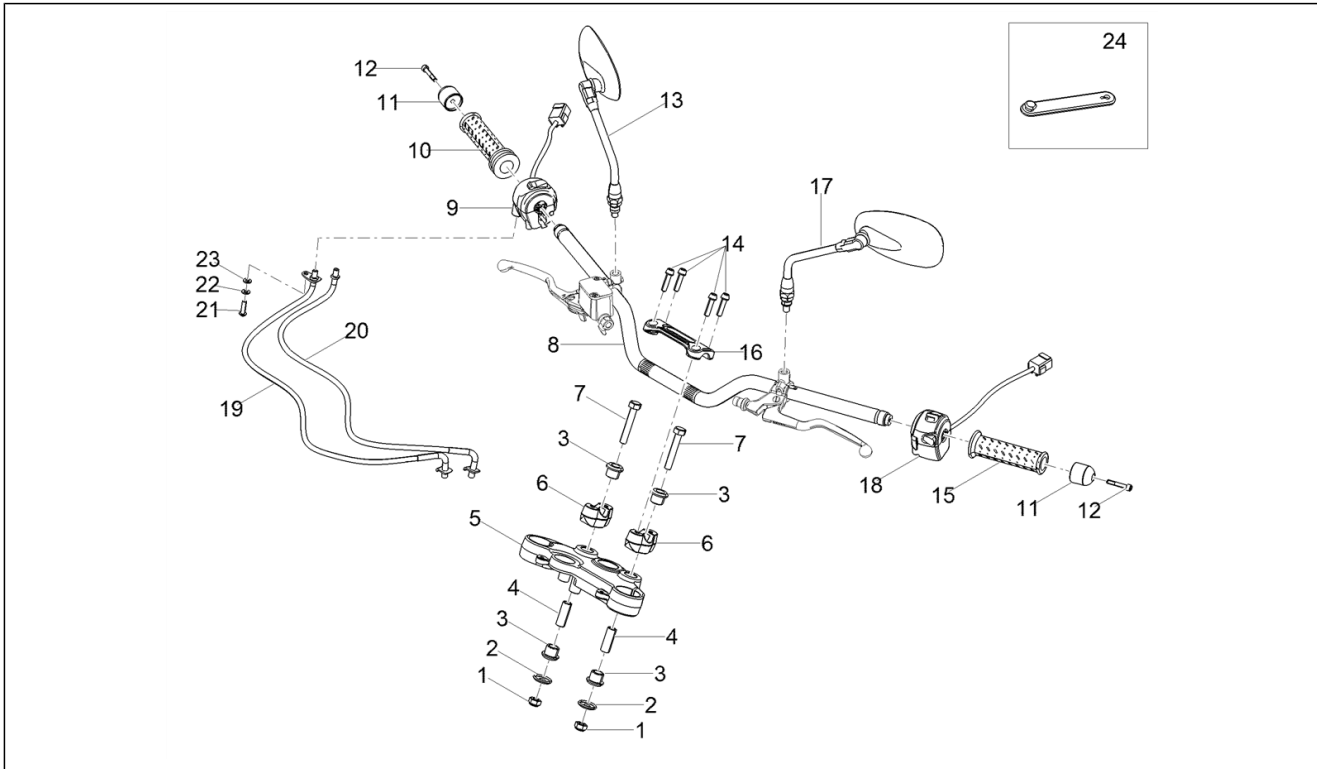
Pos.	Code	Description	Qty	Variants
29	AP8102671	Plastic rivet	1	
30	2B006725	plate	1	
31	254485	Spring plate M6	4	
32	AP8201727	Black cable guide	1	
33	GU14609650	Hose clamp 3,6x20,6	1	

Group	Handlebar - Controls
Code	07.010
Description	Steering
Service	1



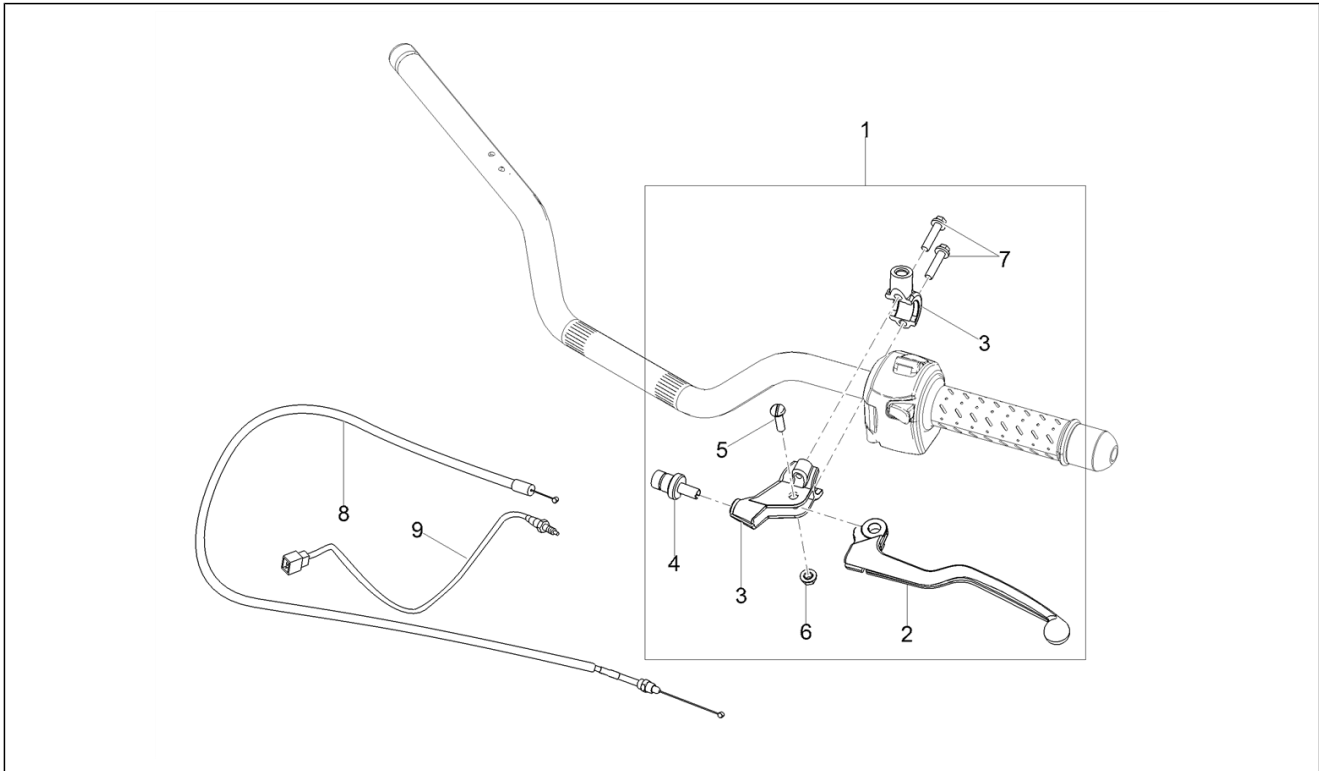
Pos.	Code	Description	Qty	Variants
1	2B003791	Fork lower plate	1	
2	AP8150543	Screw M8x35	2	
3	2B003250	Upper steering yoke	1	
4	AP8121205	Upper plate fixing bush	1	
5	AP8152384	Stem plug washer	1	
6	AP8123641	Dust cover ring	2	
7	AP8110077	Axial ball bearing	2	
8	AP8123644	Dust cover ring	1	
9	887831	Rubber spacer	1	
10	AP8123642	Ring nut	1	
11	AP8123643	Return ring nut	1	
12	887832	Steering security plate	1	
13	2B002313	Screw M10x35	2	
14	2B003250	Upper steering yoke	1	
15	AP8152299	Self-locking nut M6	1	
16	2B003292	Plate	1	
17	GU96451316	Stud bolt	1	
18	890760	Instrument support	1	

Group	Handlebar - Controls
Code	07.020
Description	Handlebar - Controls
Service	1



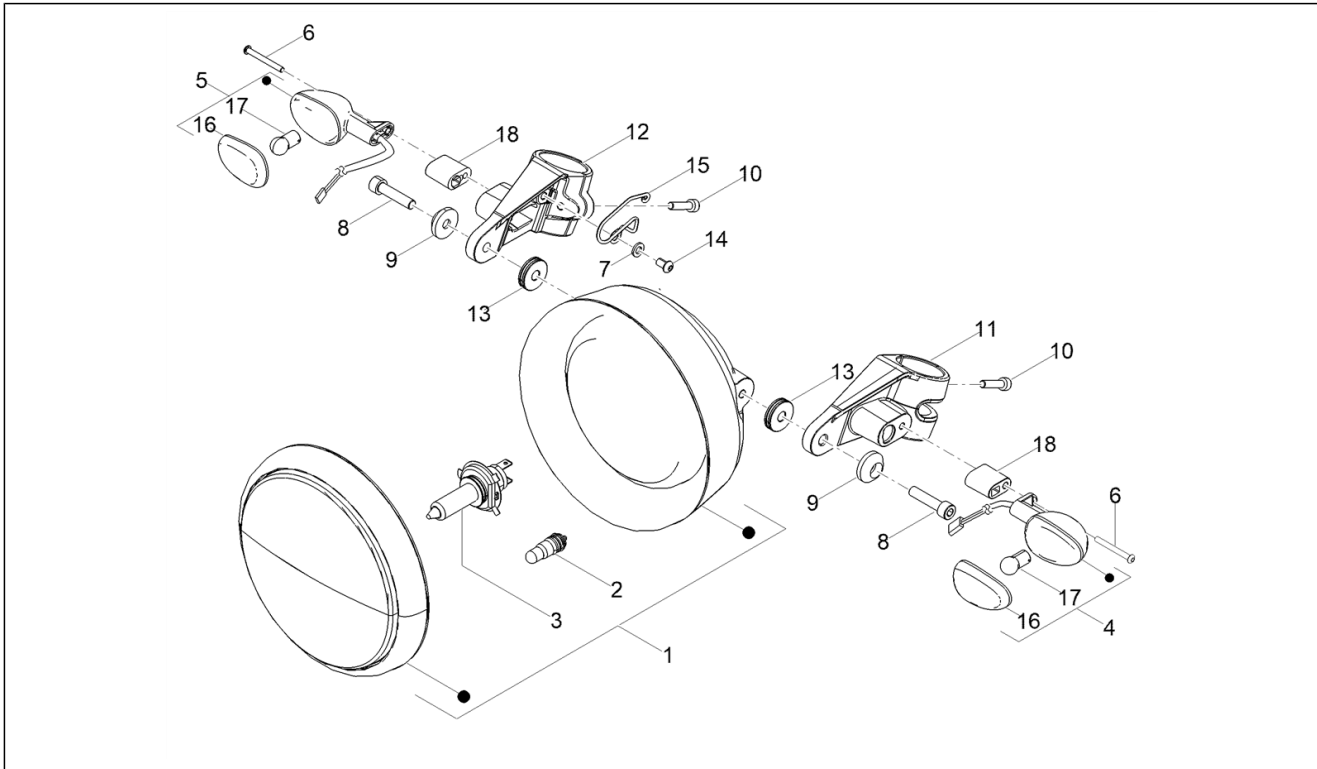
Pos.	Code	Description	Qty	Variants
1	887904	Nut	2	
2	2B002875	Cup	2	
3	887901	Rubber spacer	4	
4	887902	Spacer	2	
5	2B003250	Upper steering yoke	1	
6	2B004080	Lower U-bolt	2	
7	887915	screw M10x60	2	
8	978960	Handlebar	1	
9	2D000308	RH control set with mode selector	1	
10	GU32603310	RH hand grip	1	
11	2B008376	H.bars anti.v weight	2	
12	2B007195	Hex socket screw M6x45	2	
13	2B003835	RH rearview mirror	1	
14	AP8150540	Screw	4	
15	GU32603010	LH hand grip	1	
16	2B007746	Upper handlebar clamp	1	
17	2B003836	LH rearview mirror	1	
18	2D000307	SX command	1	
19	887852	Gas trasmission delivery	1	
20	887853	Gas trasmission return	1	
21	GU98230510	Hex socket screw M5x10	1	
22	GU95008305	Washer 5,3X10X1	1	
23	GU95021105	Notched washer	1	
24	2B004963	Spring clamp L60 mm	1	
24	GU01609630	Hose clamp L46 mm	1	
24	GU03609600	Hose clamp L36 mm	1	

Group	Handlebar - Controls
Code	07.030
Description	Clutch control
Service	1



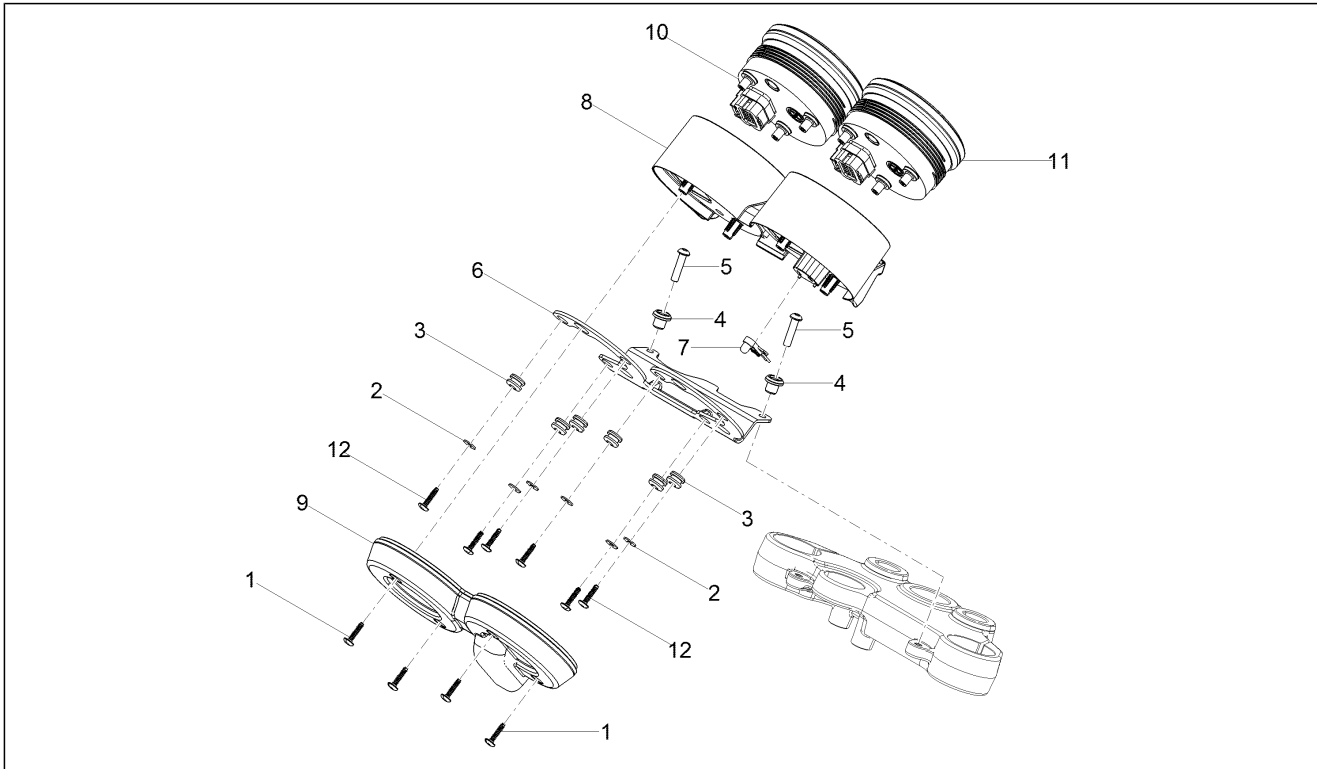
Pos.	Code	Description	Qty	Variants
1	2B002391	Clutch control lever set	1	
2	2B002390	Lever	1	
3	GU30601060	Clump	1	
4	GU30602500	Register	1	
5	AP8213028	screw	1	
6	AP8213388	Self-locking nut	1	
7	GU97202325	Black screw w/ flange M6x25	2	
8	2B006106	Clutch cable	1	
9	2D0002885	clutch switch	1	

Group	Lights - Instruments
Code	08.010
Description	Front lights
Service	1



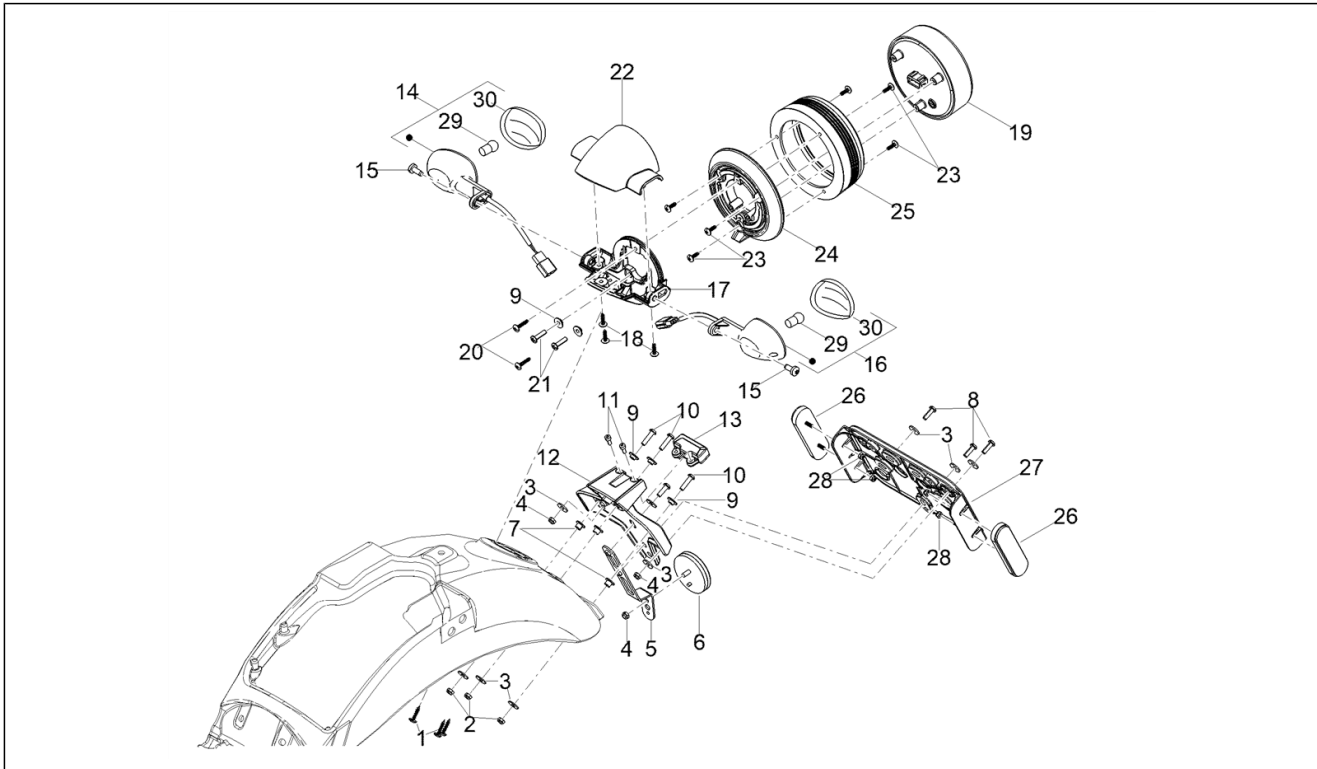
Pos.	Code	Description	Qty	Variants
1	2D000386	Reflector, assy.	1	
2	292022	Lamp 12V-5W	1	
3	292723	Lamp H4 12V-60/55W	1	
4	2D000525	Front left turn indicator	1	
5	2D000526	Front right turn indicator	1	
6	CM179306	Metric screw torx	2	
7	GU95008306	Washer 6,4x12x1,2	1	
8	GU98690435	Hex socket screw M8x35	2	
9	AP8134378	Bush Fixing	2	
10	AP8150053	Hex socket screw M6x25	2	
11	2B006729	LH headlight supp.	1	
12	2B006732	RH headlight supp.	1	
13	2B003342	Headlamp spacer	2	
14	319446	Hex socket screw M6x10	1	
15	2B003832	Fairlead	1	
16	639338	Turn indicator lens	2	
17	584332	Lamp 12V-10W	2	
18	2B006107	Spacer	2	

Group	Lights - Instruments
Code	08.020
Description	Instruments
Service	1



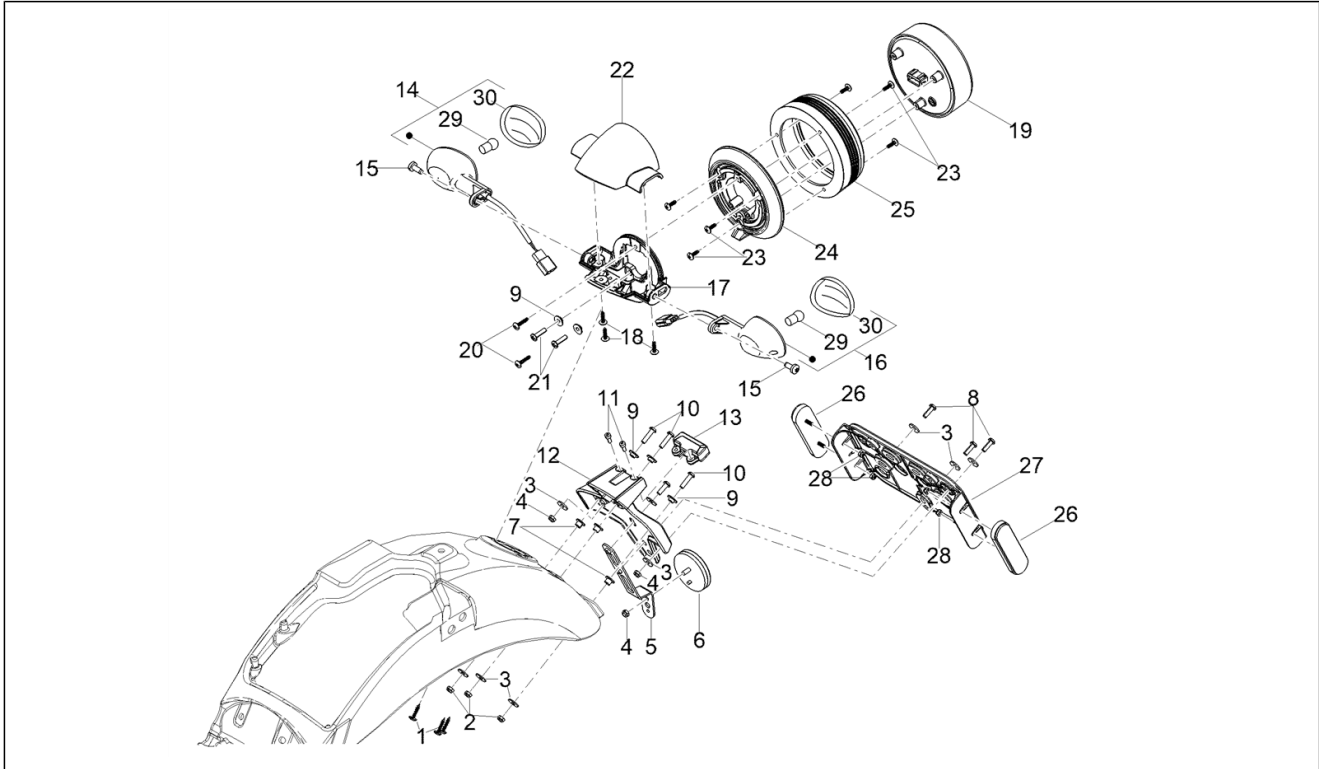
Pos.	Code	Description	Qty	Variants
1	CM178609	Self-tap screw	4	
2	013763	Flat washer 4,2x12x1	6	
3	2B003367	Fairlead	6	
4	2B003851	T bushing	2	
5	AP8152117	TBEI M6x25 screw	2	
6	2B004226	Support plate	1	
7	AP8124936	Air temp. Sensor	1	
8	2B003631	Upper cover	1	
9	2B003711	Lower cover	1	
10	2D000294	Instrument cluster with RPM scale	1	Country:Canadian[CND] United States of America[USA]
11	2D000651	Instrument cluster, Km/h	1	Country:Canadian[CND]
11	2D000652	Dashboard MPH	1	Country:United States of America[USA]
12	258146	Self tapping screw M3x20	6	

Group	Lights - Instruments
Code	08.030
Description	Rear lights
Service	1



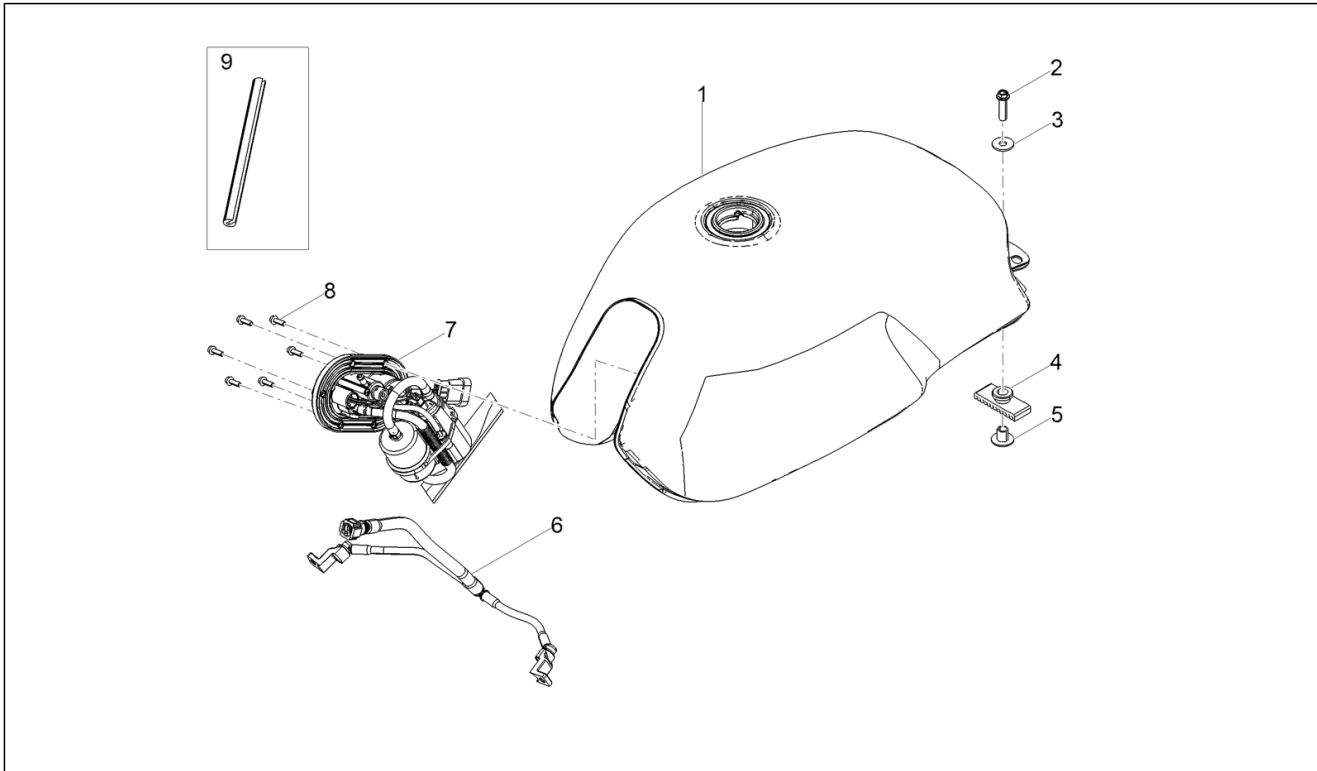
Pos.	Code	Description	Qty	Variants
1	CM180701	Self tapping screw D4x16	3	
2	AP8150451	Low self-locking nut M5	3	
3	AP8150248	Washer 5,5x15x1,6	7	
4	AP8152306	Self-locking nut M5	3	
5	AP8134448	Reflector support	1	
6	AP8224164	Rear reflector, red	1	
7	2B006416	Flanged spacer	3	
8	B016796	Torx convex big end screw	2	
9	843213	T bush	5	
10	B016808	Covex head screw with torx M5x20	3	
11	2B002146	TBEI pre-impregnated screw M4x12	2	
12	2B007468	Number plate support	1	
13	2D000284	Number-plate light	1	
14	2D000532	Right rear turn indicator	1	
15	1B000068	Self-tapping screw M6x14	2	
16	2D000531	Left rear turn indicator	1	
17	2B006001	Compl. lower tail light cover	1	
18	CM179101	Self-tapping screw	3	
19	2D000507	Taillight	1	
20	CM180702	Self tapping screw	2	
21	AP8152329	Phillips screw, SWP M5x20	2	
22	2B005954	Upper tail light cover	1	
23	CM178603	Self tapping screw D4.2x13	3	
24	2B007492	Light frame	1	
25	2B007897	Taillight bezel	1	
26	AP8124718	Rear reflector, red	2	
27	2B004072	Number plate support	1	
28	GU92630204	Nut	4	

Group	Lights - Instruments
Code	08.030
Description	Rear lights
Service	1



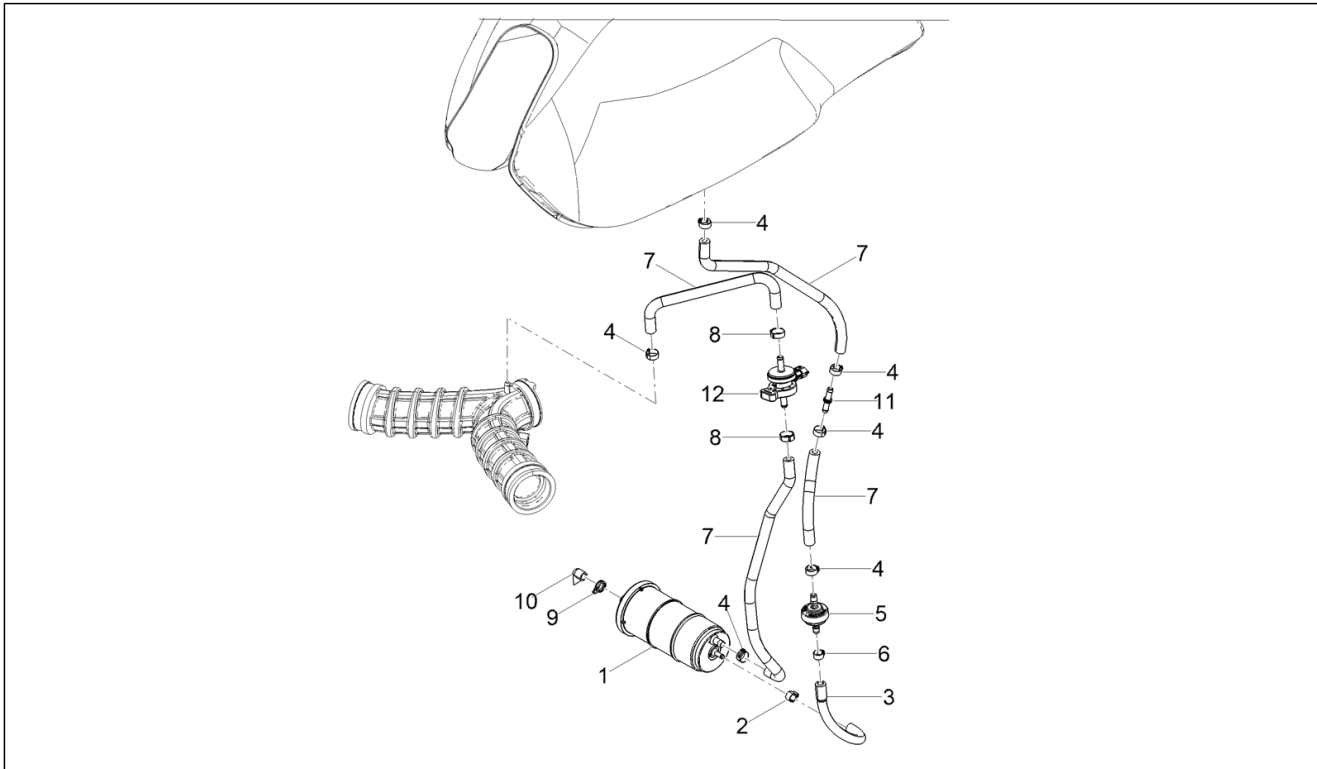
Pos.	Code	Description	Qty	Variants
29	584332	Lamp 12V-10W	2	
30	639338	Turn indicator lens	2	

Group	Tank
Code	09.010
Description	Fuel tank
Service	1



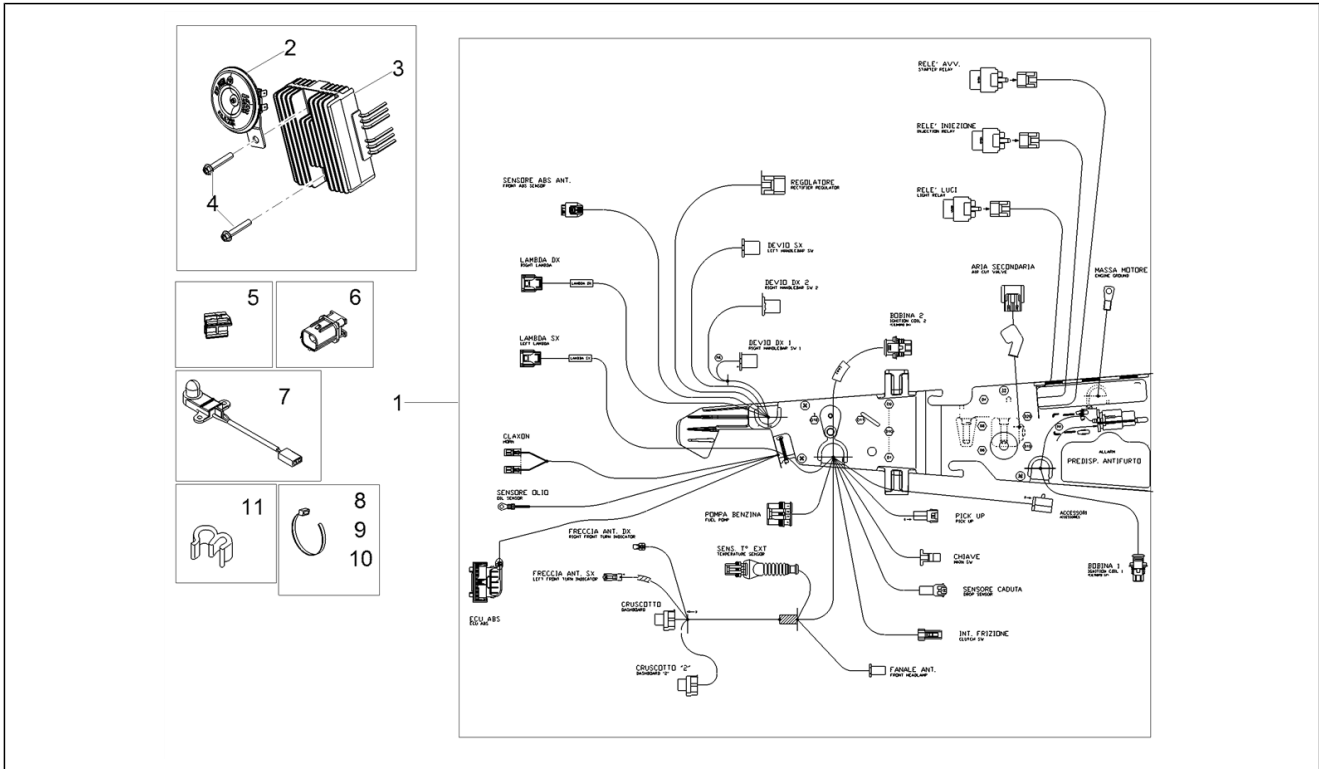
Pos.	Code	Description	Qty	Variants
1	2H004117000B01	Fuel tank	1	Technical Specification: Decal[D] Colour: White[WHI]
1	2B003435	Fuel tank blank	1	
1	2H004113000DK	Fuel tank	1	Technical Specification: Decal[D] Colour: Deep blue[BLU]
2	AP8152288	Screw w/ flange M8x30	1	
3	GU95005312	Washer 8,5x24x2	1	
4	AP8120557	Tank rubber	1	
5	AP8121332	Bush	1	
6	2B002486	Fuel system pipes	1	
7	2D000492	Fuel pump	1	
8	2B002567	Flanged hexagon screw M5X16	6	
9	2B000909	Gasket	1	

Group	Tank
Code	09.020
Description	Fuel vapour recover system
Service	1



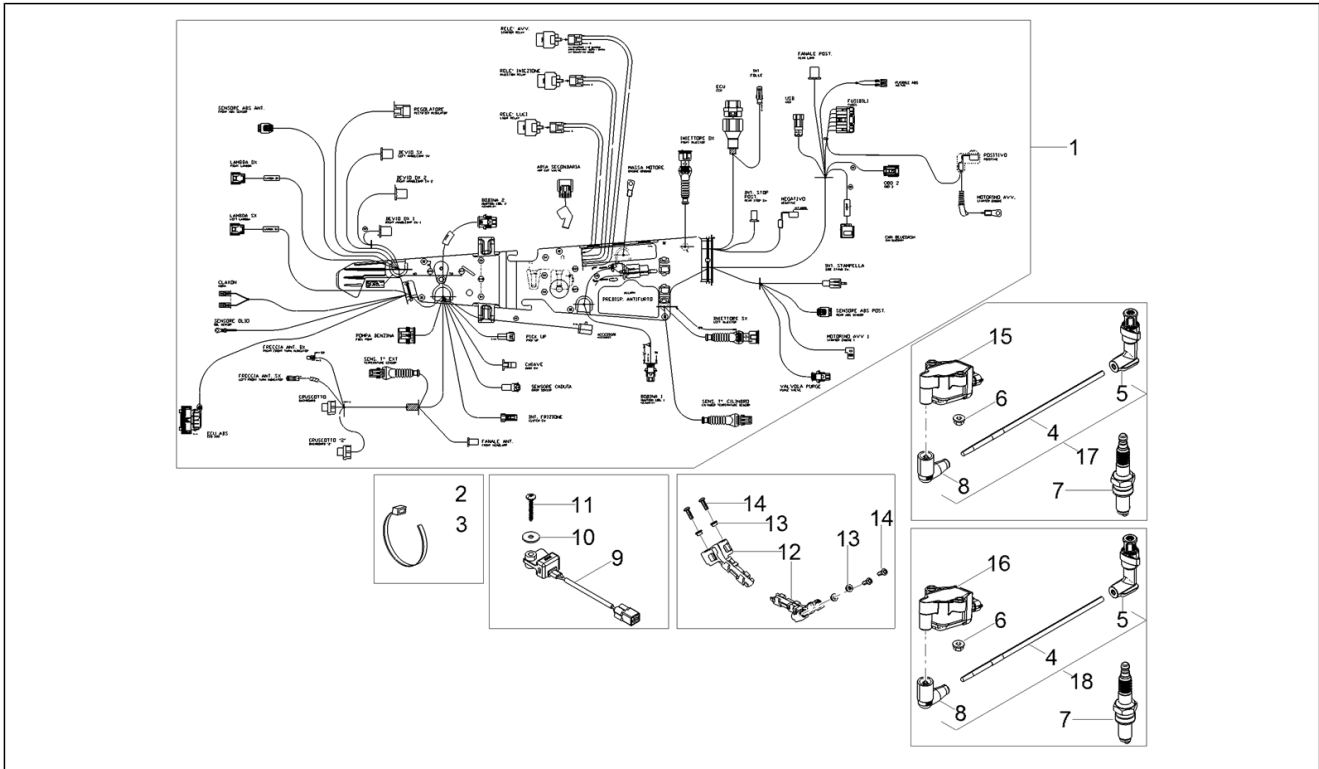
Pos.	Code	Description	Qty	Variants
1	2B002632	Canister	1	
2	AP8102738	Hose clamp	1	
3	2B003042	SAE 30 R12A-3/16 pipe	1	
4	AP8102239	Hose clamp 12,5x8	5	
5	CM179008	Safety valve	1	
6	AP8102159	Hose clamp	1	
7	856063	pipe SAE 30 d.12,7x6,35	4	
8	AP8102764	White hose clip d.13x6	2	
9	AP8102520	Hose clamp	1	
10	AP8127601	Ventilation plug	1	
11	2B000219	Joint	1	
12	B018242	Valve assy	1	

Group	Electrical systems
Code	11.010
Description	Front electrical system
Service	1



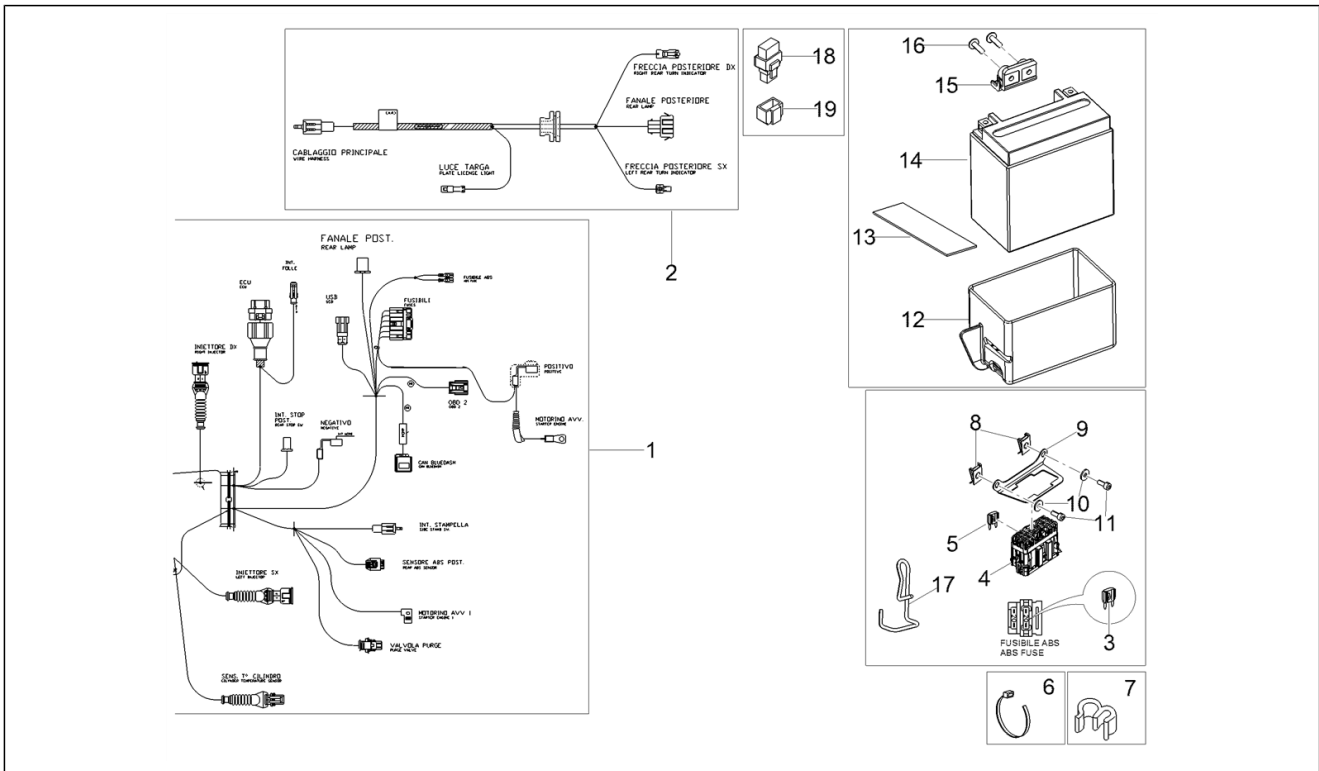
Pos.	Code	Description	Qty	Variants
1	2D000614	Main wiring harness	1	
2	2B000221	Horn	1	
3	640698	Voltage regulator	1	
4	AP8152282	Screw w/ flange M6x35	2	
5	1D000680	Plugs spring	1	
6	1D002384	Connector cover	1	
7	AP8124936	Air temp. Sensor	1	
8	GU14609650	Hose clamp 3,6x20,6	24	
9	GU49609601	Hose clamp 2,4x92	1	
10	GU93304390	Hose clamp 3,6x375	2	
11	894704	Fairlead	10	

Group	Electrical systems
Code	11.020
Description	Central electrical system
Service	1



Pos.	Code	Description	Qty	Variants
1	2D000614	Main wiring harness	1	
2	GU49609601	Hose clamp 2,4x92	1	
3	GU14609650	Hose clamp 3,6x20,6	24	
4	080341	H.V. cable	1	
5	1A010839	Screened cap	2	
6	AP8152299	Self-locking nut M6	4	
7	1A010638	Ignition spark plug MR8BI-8 NGK	2	
8	641040	Insulating cap	2	
9	680212	Fall sensor	1	
10	GU95005304	Washer 5,2x18x1,5	1	
11	478533	Self-tap screw	1	
12	2B004174	Spark plug cable retainer	2	
13	2B003052	T bushing	4	
14	1A003444	Oval head screw	4	
15	641901	HT coil	1	
16	642034	HT coil DX	1	
17	CM277101	HT wire (450 mm)	1	
18	CM277102	HT wire (580 mm)	1	

Group	Electrical systems
Code	11.030
Description	Rear electrical system
Service	1



Pos.	Code	Description	Qty	Variants
1	2D000614	Main wiring harness	1	
2	2D000620	Taillight wiring harn.	1	
3	CM225720	Fuse 20A	2	
4	584211	Fuse holder box	1	
5	CM225707	Fuse 7,5A	1	
5	CM225710	Fuse 10A	1	
5	CM225705	Fuse 5A	2	
5	CM225715	Fuse 15A	1	
5	CM225730	Fuse 30A	1	
6	GU93304390	Hose clamp 3,6x375	2	
6	GU14609650	Hose clamp 3,6x20,6	24	
7	894704	Fairlead	10	
8	AP8102375	Clip M5	2	
9	883161	Fuse block support	1	
10	GU95100059	Washer 5,25x14x1,5	2	
11	GU98682212	Hex socket screw M5x12	2	
12	2B002781	Battery cowl	1	
13	AP8144552	Lat. battery support rubber	1	
14	638733	Battery Yuasa YTX14-BS 12V-12Ah (150x87x145)	1	
14	1R000319	Battery PTX14-BS 12V 12Ah (Piaggio)	1	
15	GU06418600	Battery fixing plate	1	
16	CM179302	Metric screw TBC	2	
17	AP8134480	Fuses hook	2	
18	AP8224462	Relay 12V-30A	3	
19	642569	Relais support elastico	1	